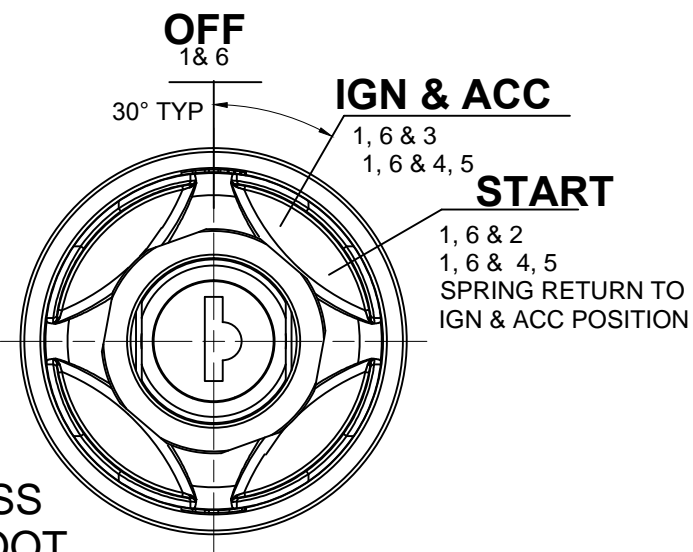


4

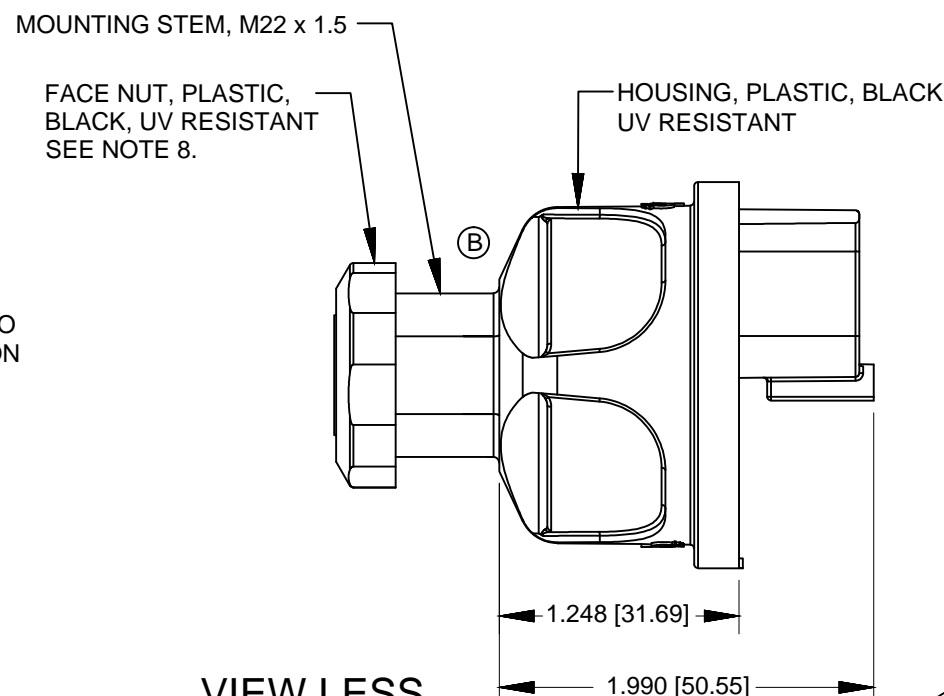
3

2

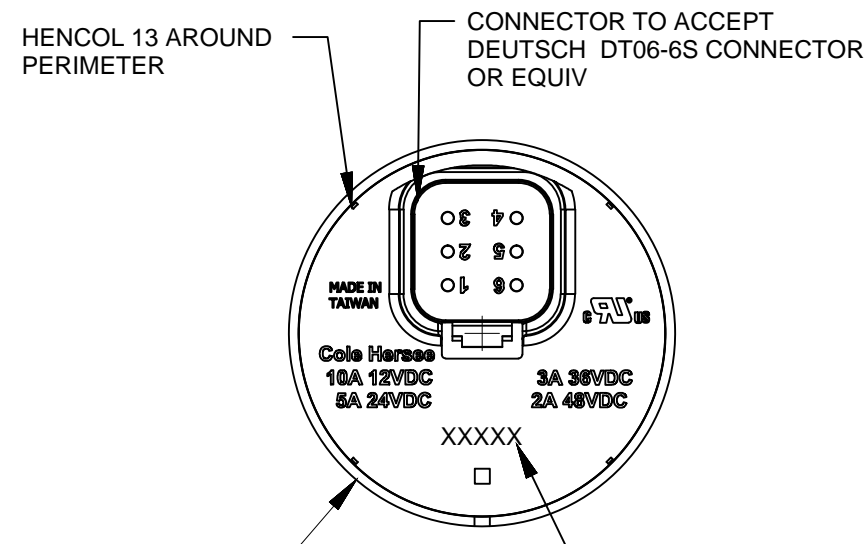
1



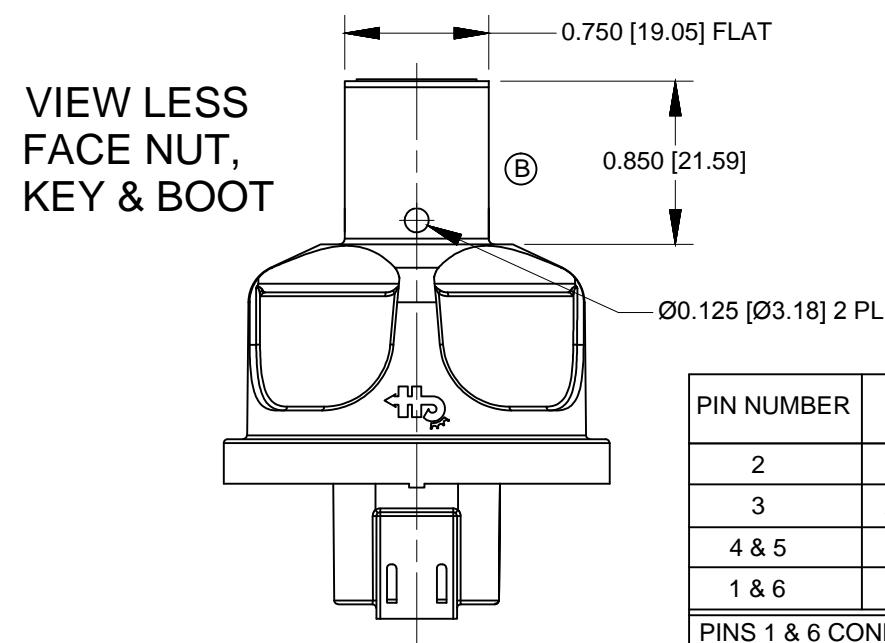
VIEW LESS KEY & BOOT



VIEW LESS KEY & BOOT



MARK PART NUMBER & DATE CODE HERE

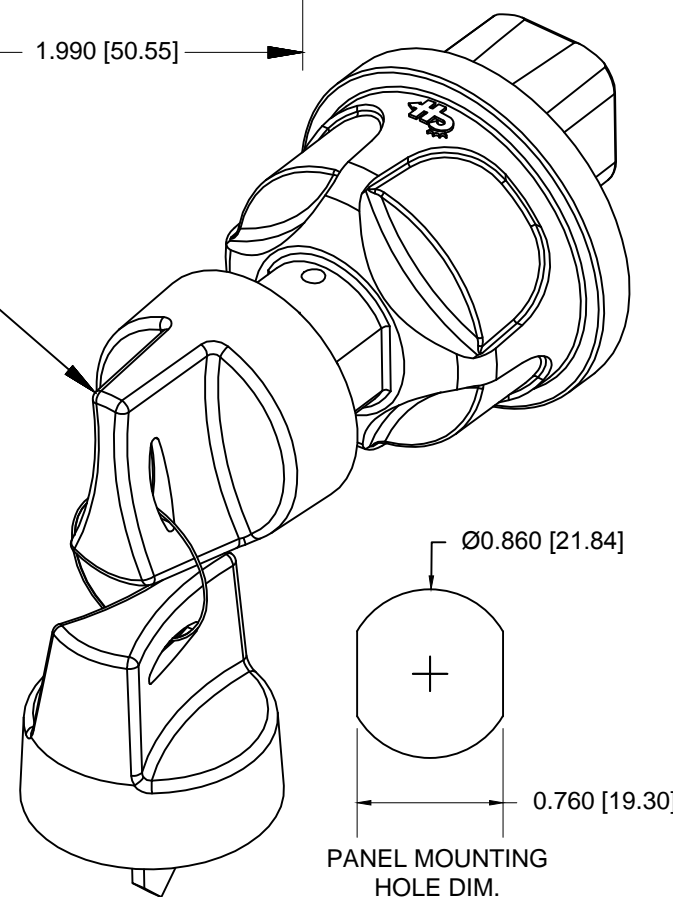


VIEW LESS FACE NUT, KEY & BOOT

2 DOUBLE BITTED, BOOTED KEYS; KEYS RINGED. SINGLE KEY CODE 601; SEE NOTES 8 & 10 BOOT: BLACK; NO LOGO

PIN NUMBER	CIRCUIT	12VDC RESISTIVE LOAD
2	START	5 AMPS
3	ACCESSARY	10 AMPS
4 & 5	IGNITION	10 AMPS
1 & 6	BATTERY	

PINS 1 & 6 CONNECTED TOGETHER INTERNALLY  
PINS 4 & 5 CONNECTED TOGETHER INTERNALLY



- NOTES:
1. TOLERANCES PLUS OR MINUS 0.015 [0.38]
  2. CONTACT AREA SEALED TO IP67
  3. BACK OF SWITCH SEALED WHEN MATING CONNECTOR IS INSTALLED
  4. FOR RESISTIVE LOAD RATING SEE CHART OR BACK OF SWITCH
  5. KEY REMOVEABLE IN OFF POSITION ONLY
  6. FOR PIN LOCATIONS SEE CHART
  7. MATERIALS: HOUSING BLACK UV RATED THERMOPLASTIC INTERNAL STATIONARY CONTACTS COPPER
  8. KEY BOOT FITS OVER FACE NUT, BOOT WITH NO CH LOGO
  9. SWITCH TESTED TO SAE J259, UL RECOGNIZED TO UL 1054
  10. SWITCH SUPPLIED WITH SINGLE KEY CODE 601
  11. SW. MUST NOT BREAK CIRCUIT OR BE DAMAGED IF TORQUED TO 15 IN-LBS [1.69Nm]
  12. IF THE APPLICATION MOUNTS THE SWITCH WITH THE LOCK CYLINDER OR LEVER APPROACHING VERTICAL, CONTACT THE FACTORY FOR AN APPLICATION REVIEW AND POTENTIAL ALTERNATE PRODUCTS BEFORE DESIGN IS SET

Revision Control Record				Revision Control Record				Tolerances		PROPRIETARY INFORMATION		Special Characteristics:		Cole Hersee Co.	
Rev.	Description of Change	ECN No.	Date	Rev.	Description of Change	ECN No.	Date	Unless otherwise specifically noted, the following are default tolerances:	This Engineering Drawing, and the information contained herein, is proprietary to Cole Hersee Company and may not be disclosed, re-produced, or in any other way transferred or communicated to any other party without the express written consent of an authorized representative of Cole Hersee Company.	CC	Critical Characteristic, relating to Safety and/or Regulatory Compliance	20 Old Colony Ave., South Boston, MA, 02127 Phn: 617-268-2100 Web: www.colehersee.com			
A	RELEASED DRAWING	10681	07/7/14					* 2-place Decimal Dimensions +/- .02" * 3-place Decimal Dimensions +/- .005" * Angular Dimensions +/- 1.0 Deg. * Metric: Refer to equivalent English Dimension Tolerance >>> NOTE: All tolerances are Non-Cumulative. <<<	DESIGN CONTROL It is the responsibility of the individual using / referencing this drawing to assure that the noted design revision level agrees with the revision level of the Controlled Document (Master Drawing). This is a NON-CONTROLLED DOCUMENT unless otherwise specifically noted.	X	Significant Characteristic relating to Process Control (SPC)	Description: <b>SW, ROT, 3POS, PLSTC</b>			
B	REMOVE BRASS HEX NUT	10983	09/9/14					Dimensional Units All dimensions are expressed in inches except those shown in brackets (xxx) are expressed in millimeters	DO NOT SCALE - Dimensional variation may occur during printing / reproduction.	CC	Control Dimension relating to Form - Fit - Function as defined by Cole Hersee Company and/or the Customer	Drawing / Part No.: <b>95060-63</b>			
								"REF." or an Asterisk (*) = Non-Toleranced Reference Dimension, shown for clarification purposes only.	Used On EX29187 or Ref.:	Scale: 1:1	Drawn By: C.Miller	Date Drawn: 7/11/14	Responsible Engineer: G.Augu	PAGE 1 Created using Autocad Inventor	Current Rev.: <b>B</b>

4

3

2

1