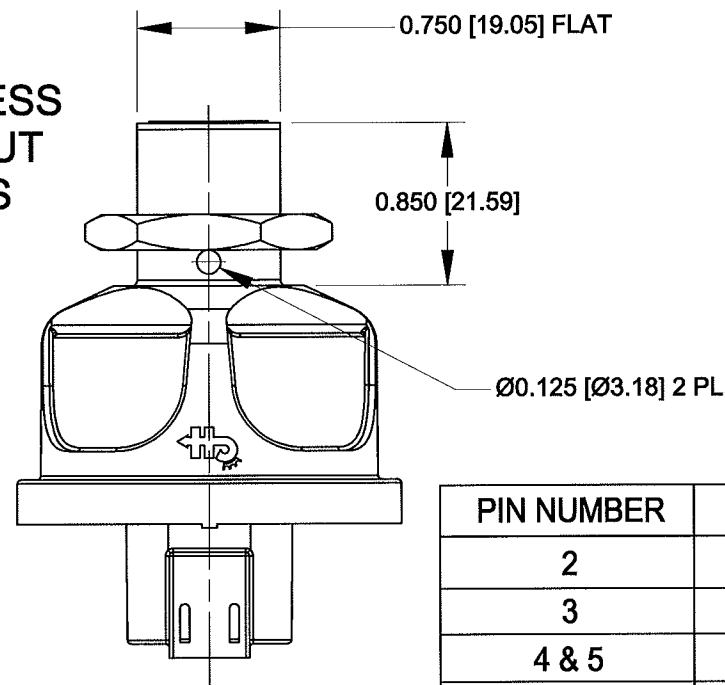


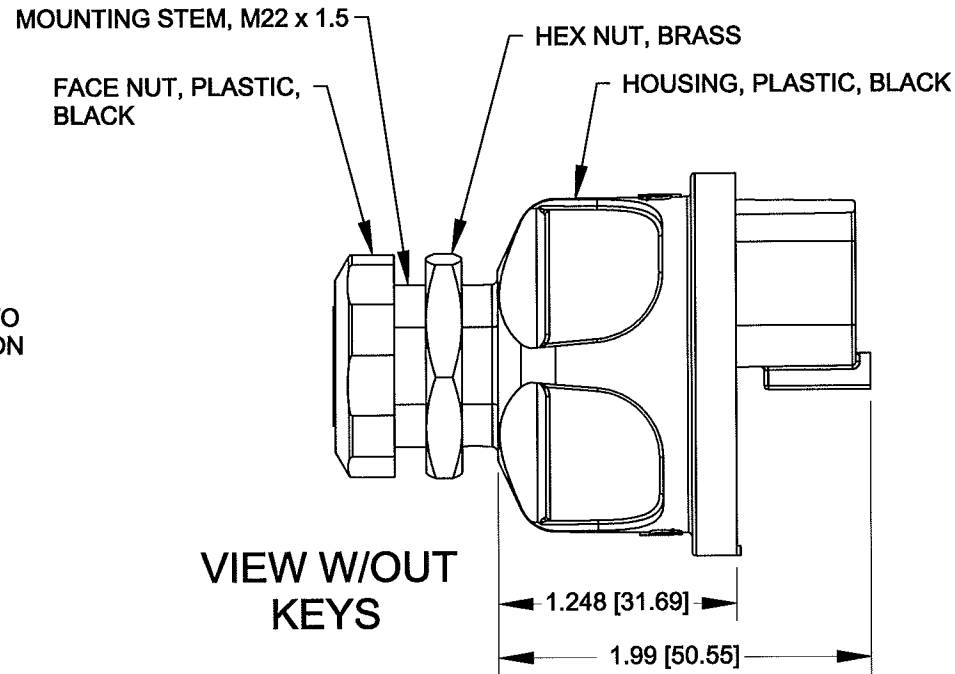
VIEW LESS KEYS

VIEW LESS FACE NUT & KEYS



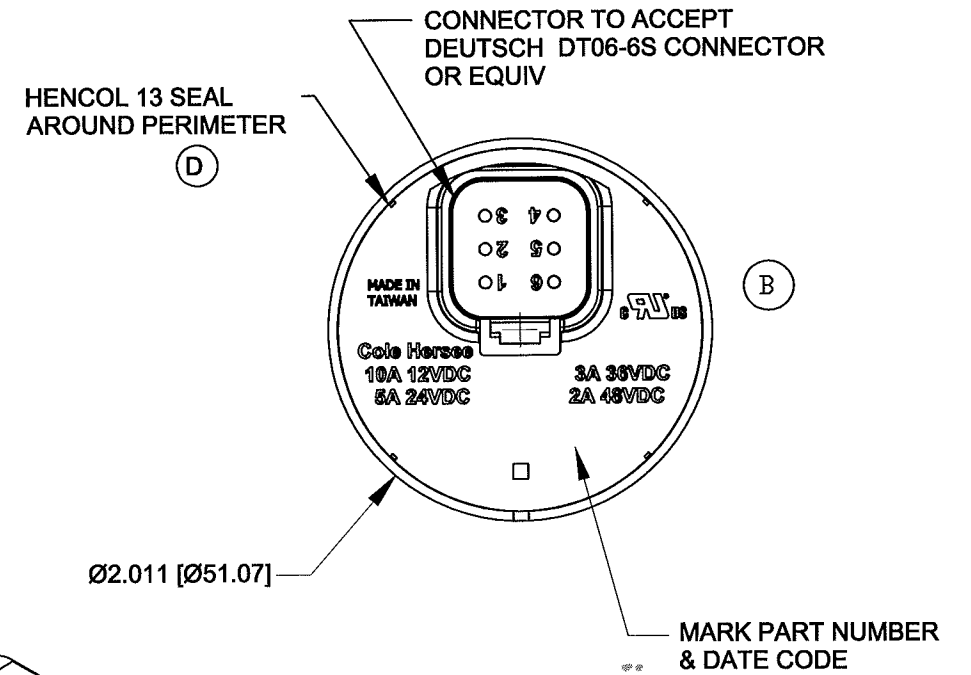
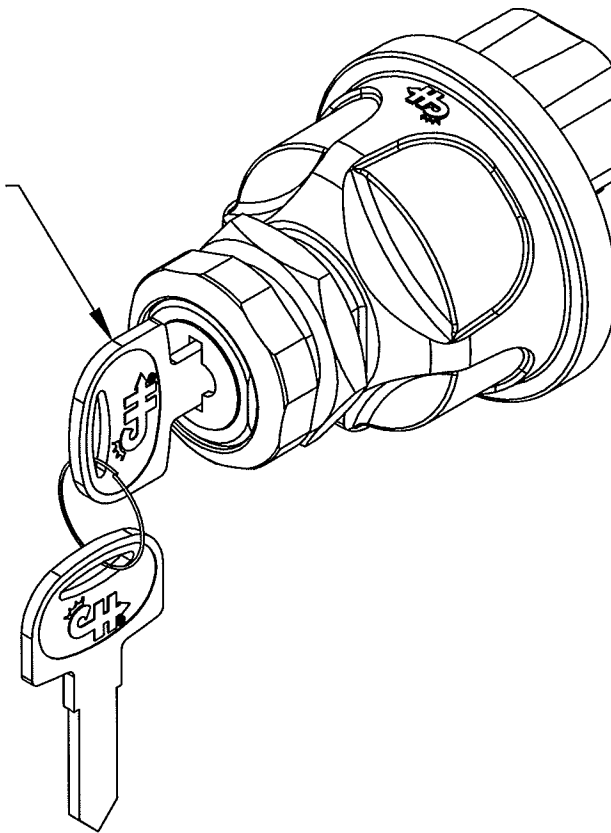
PIN NUMBER	CIRCUIT	12VDC RESISTIVE LOAD
2	START	5 AMP
3	ACCESSORY	10 AMP
4 & 5	IGNITION	10 AMP
1 & 6	BATTERY	

TERMINALS 1 & 6 CONNECTED TOGETHER INTERNALLY
TERMINALS 4 & 5 CONNECTED TOGETHER INTERNALLY



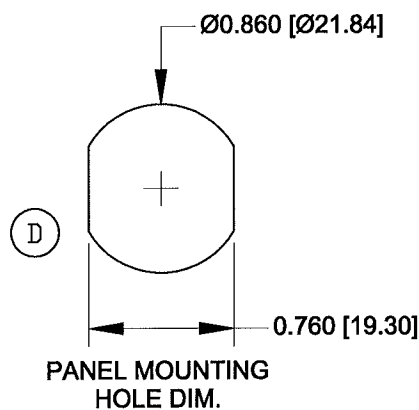
VIEW W/OUT KEYS

2 DOUBLE BITTED KEYS RINGED
10 KEY CODES
(601-605, 701-705)



NOTES:

- TOLERANCES PLUS OR MINUS 0.015 [0.38]
- CONTACT AREA SEALED TO IP67
- BACK OF SWITCH SEALED WHEN MATING CONNECTOR IS INSTALLED
- KEY REMOVEABLE IN OFF POSITION ONLY
- MATERIALS:
 - HOUSING BLACK THERMOPLASTIC
 - INTERNAL STATIONARY CONTACTS COPPER
- 10 KEY CODES 601-605, 701-705
- SWITCH TESTED TO SAE J259, UL RECOGNIZED TO UL 1054
- FOR RESISTIVE LOAD RATING SEE CHART OR BACK OF SWITCH
- SW. MUST NOT BREAK CIRCUIT OR BE DAMAGED IF TORQUED TO 15 IN-LBS [1.69Nm]
- IF THE APPLICATION MOUNTS THE SWITCH WITH THE LOCK CYLINDER OR LEVER APPROACHING VERTICAL, CONTACT THE FACTORY FOR AN APPLICATION REVIEW AND POTENTIAL ALTERNATE PRODUCTS BEFORE DESIGN IS SET.



PANEL MOUNTING HOLE DIM.

Rev.	Description of Change	ECN No.	Date
A	RELEASE DRAWING	08341	06/16/08
B	ADDED UL	10254	6/24/10
C	ADDED MADE IN TAIWAN	11215	7/15/11
D	ADDED HENCOL 13; ADDED TORQUE NOTE	13166	6/17/13

Tolerances Unless otherwise specifically noted, the following are default tolerances:
 * 2-place Decimal Dimensions +/- .02"
 * 3-place Decimal Dimensions +/- .005"
 * Angular Dimensions +/- 1.0 Deg.
 * Metric: Refer to equivalent English Dimension Tolerance
 >>> NOTE: All tolerances are Non-Cumulative. <<<

Dimensional Units All dimensions are expressed in Inches except those shown in brackets (xxx) are expressed in millimeters

"REF." or an Asterisk (*) = Non-Toleranced Reference Dimension, shown for clarification purposes only.

Used On: EX28477 or Ref.:

PROPRIETARY INFORMATION This Engineering Drawing, and the information contained herein, is proprietary to Cole Hersee Company and may not be disclosed, re-produced, or in any other way transferred or communicated to any other party without the express written consent of an authorized representative of Cole Hersee Company.

DESIGN CONTROL It is the responsibility of the individual using / referencing this drawing to assure that the noted design revision level agrees with the revision level of the Controlled Document (Master Drawing). This is a NON-CONTROLLED DOCUMENT unless otherwise specifically noted.

DO NOT SCALE - Dimensional variation may occur during printing / reproduction.

Special Characteristics:

- CC Critical Characteristic, relating to Safety and/or Regulatory Compliance
- X Significant Characteristic relating to Process Control (SPC)
- KC Control Dimension relating to Form - Fit - Function as defined by Cole Hersee Company and/or the Customer

(Note that the Identification of any Characteristics as being "Special" does not alter the requirement that ALL specified dimensions & tolerances must be met.)

Scale: 1:1
 Drawn By: JJC Date Drawn: 6/13/08
 Responsible Engineer: JJC

Cole Hersee Co.
 20 Old Colony Ave., South Boston, MA, 02127
 Phn: 617-268-2100 Web: www.colehersee.com

Description:
SW, ROT, 4POS, PLSTC

Drawing / Part No.:
95060-34

Current Rev.:
D

Created using Autocad Inventor