

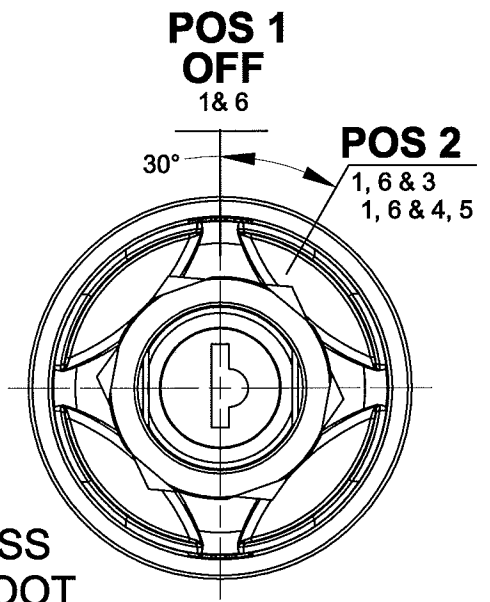
4 | 3 | 2 | 1

B

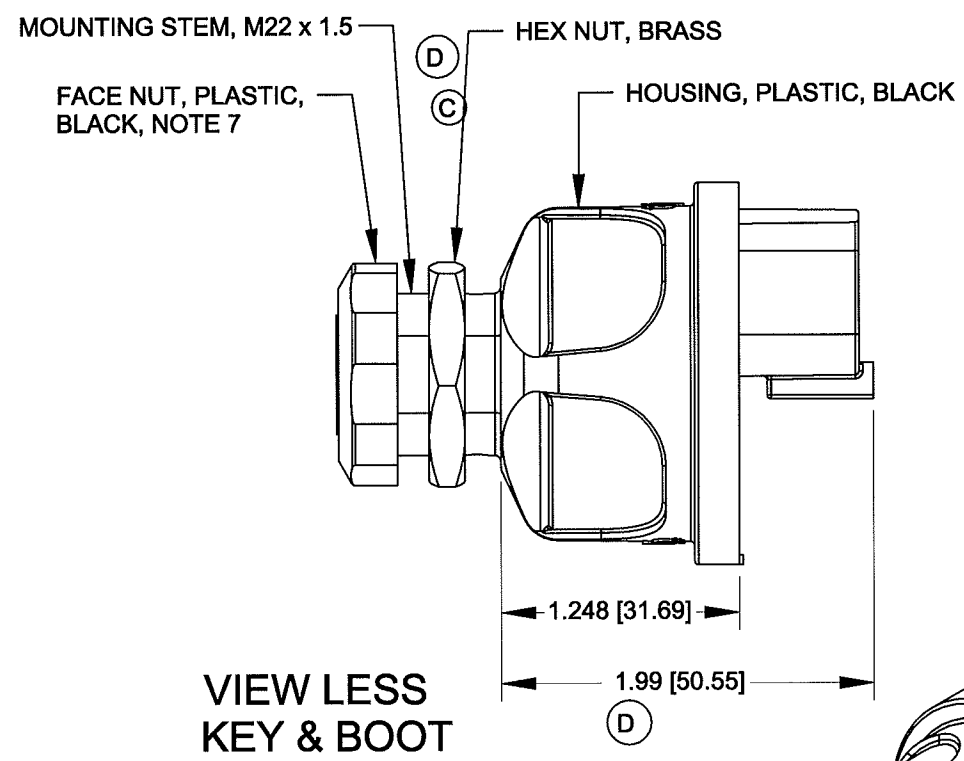
B

A

A



VIEW LESS KEY & BOOT



VIEW LESS KEY & BOOT

HENCOL 13 SEAL AROUND PERIMETER

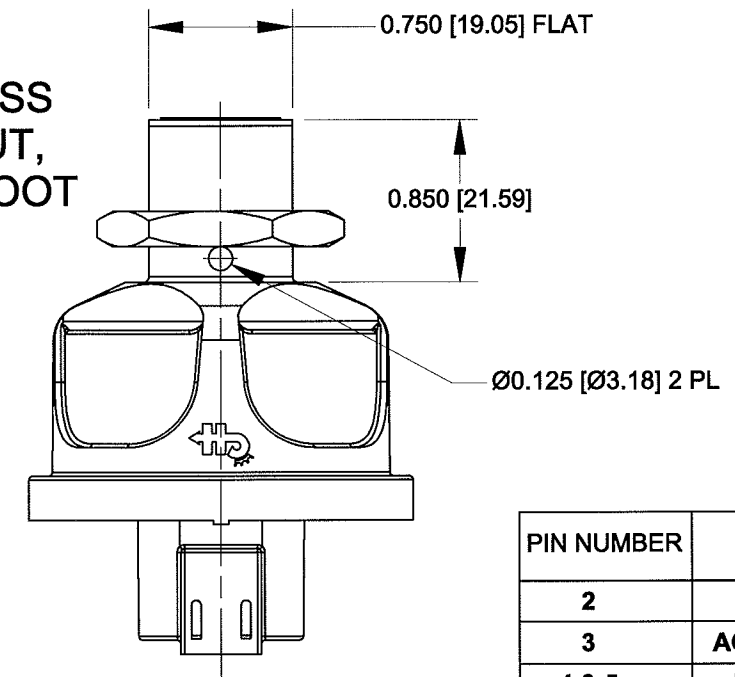
(G)

CONNECTOR TO ACCEPT DEUTSCH DT06-6S CONNECTOR OR EQUIV

Ø2.011 [Ø51.07]

(B) MARK PART NUMBER & DATE CODE

VIEW LESS FACE NUT, KEY & BOOT

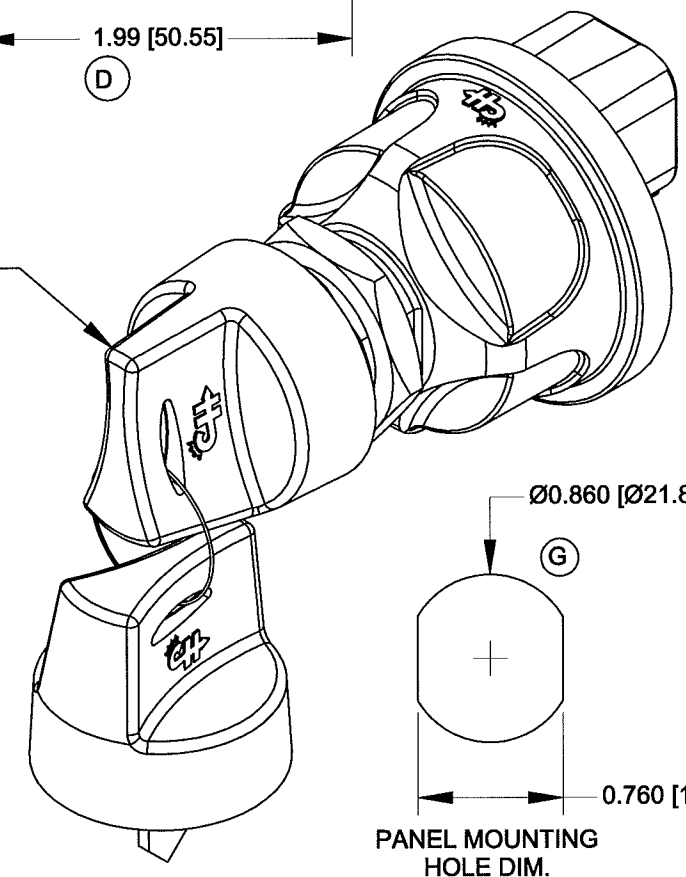


2 DOUBLE BITTED BOOTED KEYS RINGED, BLACK, NOTE 7

(E)

PIN NUMBER	CIRCUIT	12VDC RESISTIVE LOAD
2	START	5 AMPS
3	ACCESSORY	10 AMPS
4 & 5	IGNITION	10 AMPS
1 & 6	BATTERY	

PINS 1 & 6 CONNECTED TOGETHER INTERNALLY
PINS 4 & 5 CONNECTED TOGETHER INTERNALLY



PANEL MOUNTING HOLE DIM.

NOTES:

1. TOLERANCES PLUS OR MINUS 0.015 [0.38]
2. CONTACT AREA SEALED TO IP67
3. BACK OF SWITCH SEALED WHEN MATING CONNECTOR IS INSTALLED
4. FOR RESISTIVE LOAD RATING SEE CHART OR BACK OF SWITCH
5. KEY REMOVEABLE IN OFF POSITION ONLY
6. MATERIALS: HOUSING BLACK THERMOPLASTIC
INTERNAL STATIONARY CONTACTS COPPER
7. KEY BOOT FITS OVER FACE NUT
8. SWITCH TESTED TO SAE J259, UL RECOGNIZED TO UL 1054
9. IF THE APPLICATION MOUNTS THE SWITCH WITH THE LOCK CYLINDER OR LEVER APPROACHING VERTICAL, CONTACT THE FACTORY FOR AN APPLICATION REVIEW AND POTENTIAL ALTERNATE PRODUCTS BEFORE DESIGN IS SET.
10. SW. MUST NOT BREAK CIRCUIT OR BE DAMAGED IF TORQUED TO 15 IN-LBS [1.69Nm]

Rev.	Description of Change	ECN No.	Date
G	ADDED HENCOL 13	13169	6/17/13
F	ADDED MADE IN TAIWAN	11215	7/15/11
E	ADDED CHART & UL	10254	6/24/10

Rev.	Description of Change	ECN No.	Date
D	ADDED HEX NUT, 1.950	07102	3/30/07
C	REVISED NOTES; DELETED HEX NUT	07049	2/15/07
B	ADDED NOTES	06325	10/4/06
A	RELEASED DRAWING	06287	8/11/06

Tolerances Unless otherwise specifically noted, the following are default tolerances:
 * 2-place Decimal Dimensions +/- .02"
 * 3-place Decimal Dimensions +/- .005"
 * Angular Dimensions +/- 1.0 Deg.
 * Metric: Refer to equivalent English Dimensional Tolerance
 >>> NOTE: All tolerances are Non-Cumulative. <<<

Dimensional Units All dimensions are expressed in inches except those shown in brackets (xxx) are expressed in millimeters

"REF." or an Asterisk (*) = Non-Toleranced Reference Dimension, shown for clarification purposes only.

Used On **EX28124** Scale: 1:1

PROPRIETARY INFORMATION This Engineering Drawing, and the information contained herein, is proprietary to Cole Hersee Company and may not be disclosed, re-produced, or in any other way transferred or communicated to any other party without the express written consent of an authorized representative of Cole Hersee Company.

DESIGN CONTROL It is the responsibility of the individual using / referencing this drawing to assure that the noted design revision level agrees with the revision level of the Controlled Document (Master Drawing). This is a NON-CONTROLLED DOCUMENT unless otherwise specifically noted.

DO NOT SCALE - Dimensional variation may occur during printing / reproduction.

Drawn By: **DPS** Date Drawn: **8/11/06**

Special Characteristics:

- CC Critical Characteristic, relating to Safety and/or Regulatory Compliance
- X Significant Characteristic relating to Process Control (SPC)
- KC Control Dimension relating to Form - Fit - Function as defined by Cole Hersee Company and/or the Customer

(Note that the identification of any Characteristics as being "Special" does not alter the requirement that ALL specified dimensions & tolerances must be met.)

Responsible Engineer: **JT** **PAGE 1**
Created using Autocad Inventor

Cole Hersee Co.
 20 Old Colony Ave., South Boston, MA, 02127
 Phn: 617-268-2100 Web: www.colehersee.com

Description: **SW, ROT, 2POS, PLSTC**

Drawing / Part No.: **95060-07** Current Rev.: **G**

4 | 3 | 2 | 1