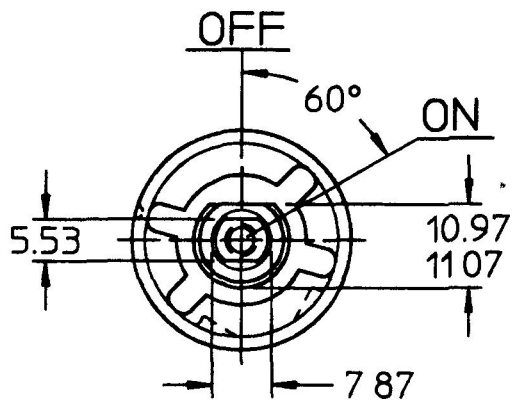
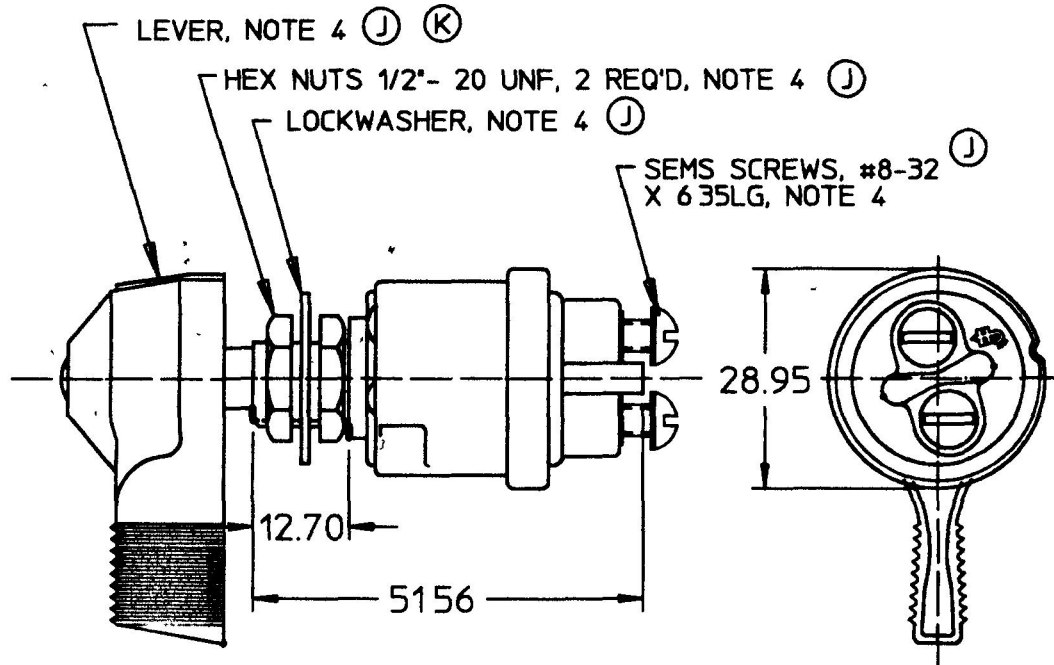


9500

| MM    | IN    |
|-------|-------|
| 5 53  | 0 218 |
| 7 87  | 0 310 |
| 10 97 | 0 432 |
| 11 07 | 0 436 |
| 12 70 | 0 500 |
| 28 95 | 1 140 |
| 51 56 | 2 030 |



SWITCH SHOWN IN  
OFF POSITION  
& LEVER REMOVED



NOTES

- 1 ALL DIMENSIONS ARE REFERENCE ONLY UNLESS NOTED OTHERWISE
- 2 ALL STEEL PARTS PLATED
- 3 10 AMPS @ 12 VDC
- 4. PARTS MAY BE ASSEMBLED OR SUPPLIED IN A PLASTIC BAG

DO NOT SCALE

| LET | WAS | DATE | BY | LET | WAS                      | DATE     | BY  | MATERIAL                                   | DRAWN   | CHK | APVD | SCALE |                  | DATE DRAWN |
|-----|-----|------|----|-----|--------------------------|----------|-----|--|---|-----|------|-------|------------------|------------|
|     |     |      |    |     |                          |          |     | N/A  | AA  | KY  | N/A  | 11    | M-497            | 4/23/58    |
|     |     |      |    |     |                          |          |     | FINISH<br>N/A                              | <b>Cole Hersee Co.</b><br>20 OLD COLONY AVENUE, BOSTON, MA, U.S.A., 02127 |     |      |       | DATE BLUEPRINTED |            |
|     |     |      |    | K   | ECN # 99659              | 01/10/00 | MA  | TOLERANCES<br>DECIMAL ± N/A<br>ANGLE ± N/A | SW. IGNITION 2 POS.   |     |      |       | 9500             |            |
|     |     |      |    | J   | PUT ON CAD<br>ECN #26936 | 9/12/97  | AJS |  |   |     |      |       |                  |            |