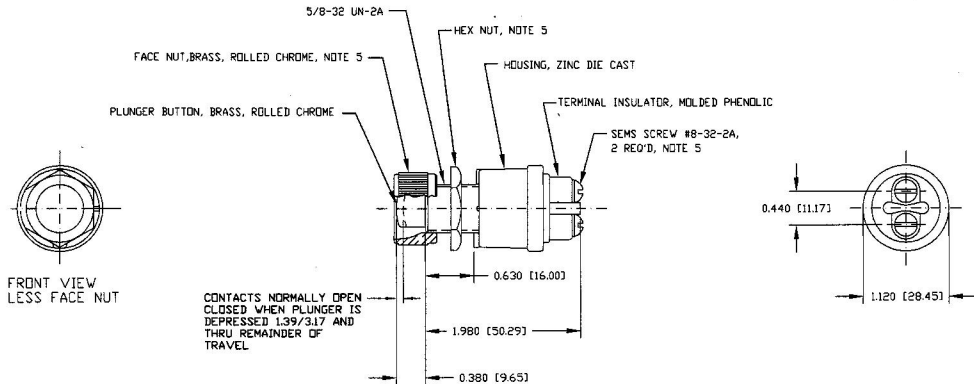


Revision Control Record

Rev.	Description of Change	ECN No.	Date
J	NOTE	02481	10/08/02



NOTES:

1. ALL STEEL PARTS EITHER ZINC PLATED DICHROMATE DIP OR CAD PLT
2. ALL DIMENSIONS REFERENCE ONLY
3. HEAVY SILVER CONTACT SURFACES
4. RATING: 20 AMP @ 24V DC; 35 AMP @ 12V DC
5. PARTS MAYBE ASSEMBLED OR SUPPLIED IN BAG

Tolerances: Unless otherwise specified, the following are implied tolerances:
 * Surface Parallel Dimensions $\pm .005$
 * Surface Perpendicular Dimensions $\pm .005$
 * Angular Dimensions ± 1.0 Deg.
 * Holes: Holes in accordance with American National Standards unless noted. All tolerances are plus-unless noted.
Dimensional Units: All dimensions are expressed in inches except those shown in brackets (xx) are expressed in millimeters.
TRC - as an ASHRAE 91.1 Non-Toleranced Reference Dimension: shown for identification purposes only.

APPROVAL/DEFINITION: This Engineering Drawing, and the information contained herein, is proprietary to Cole Horse Company and shall not be disclosed, reproduced, or in any other way transmitted or communicated to any other party without the express written consent of an authorized representative of Cole Horse Company.

DESIGN RESPONSIBILITY: It is the responsibility of the individual using/altering this drawing to ensure that the latest design revision (and agree with the revision level of the referenced document) General Drawing. This is a NON-CONTROLLED DOCUMENT unless otherwise specifically noted.
 Do NOT MAKE dimensional notations any other during printing/ reproduction.

See for Detailed Characteristics...

⊕ Critical Characteristics relating to Safety and/or Regulatory Compliance

⊗ Significant Characteristics relating to Product Control (PCI)

⊕ Control Dimension relating to Form - Fit - Function as defined by Cole Horse Company and/or the Customer

⊕ Note that the identification of any Characteristics as being "Special" does not alter the requirement that ALL specified dimensions & tolerances must be met.



Cole Horse Co.

20 Old Colony Ave., North Boston, MA, 02127
 Phone: 617-386-2100 Website: www.colehorse.com

Description: **HEAVY DUTY STARTER SWITCH**

Original Part No.: **9231**

J

Used On: **as R/C**

Scale: **1:1**

Drawn By: **RG**

Date: **3/6/89**

Responsible Engineer:

Pg. 1