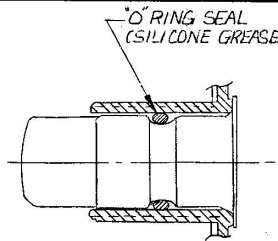
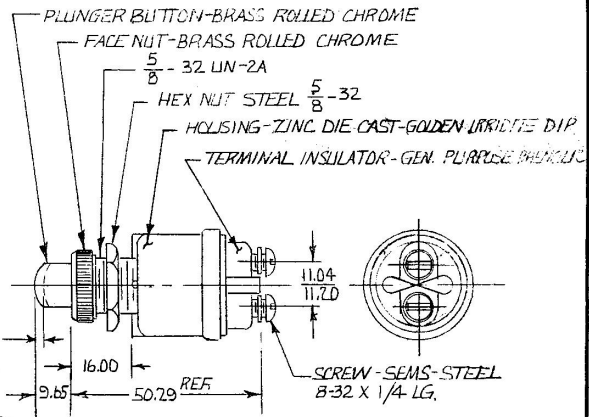


MMS	IN
0.25	.010
1.39	.055
3.17	.125
4.57	.180
6.35	.250
9.65	.380
11.04	.435
11.20	.447
16.00	.630
50.29	1.980

9216

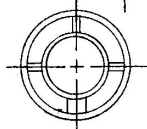


SCALE 2X



NORMALLY OPEN, CONTACTS CLOSED WHEN PLUNGER DEPRESSED 1.39/3.17 THRU REMAINDER OF 4.57/6.35 FULL TRAVEL.

SWITCH SHOWN IN "OFF" POSITION



METRIC $\text{\textcircled{P}}$ FRONT VIEW OF CASE

- NOTE:
1. O RING SEALED AT MOUNTING BUSHING ONLY.
 2. SILVER CONTACT SURFACES.
 3. ALL EXTERIOR METAL PARTS MAY BE CAD. OR ZINC PLT. (CLEAR DICHROMATE DIP) UNLESS NOTED.

Confidential Property of Cole Hersee

DO NOT SCALE

LET	WAS	DATE	BY	LET	WAS	DATE	BY	MATERIAL	DRAWN	CHECKED	APPR'VD.	SCALE	DATE DRAWN
								FINISH	JP	<input checked="" type="checkbox"/>		1-1	5-29-58
COLE-HERSEE COMPANY													DATE BLUEPRINT
BOSTON, MASS. 02127, U.S.A.													
								TOLERANCES	INDUSTRIAL START SWITCH				9216
							FRACTIONAL \pm						
								DECIMAL ± 0.25					

COLE-HERSEE CO.

PA ADDED/2357/8-17-87 L12
 REDRAWN & ADD METRIC 9/6/77 DK