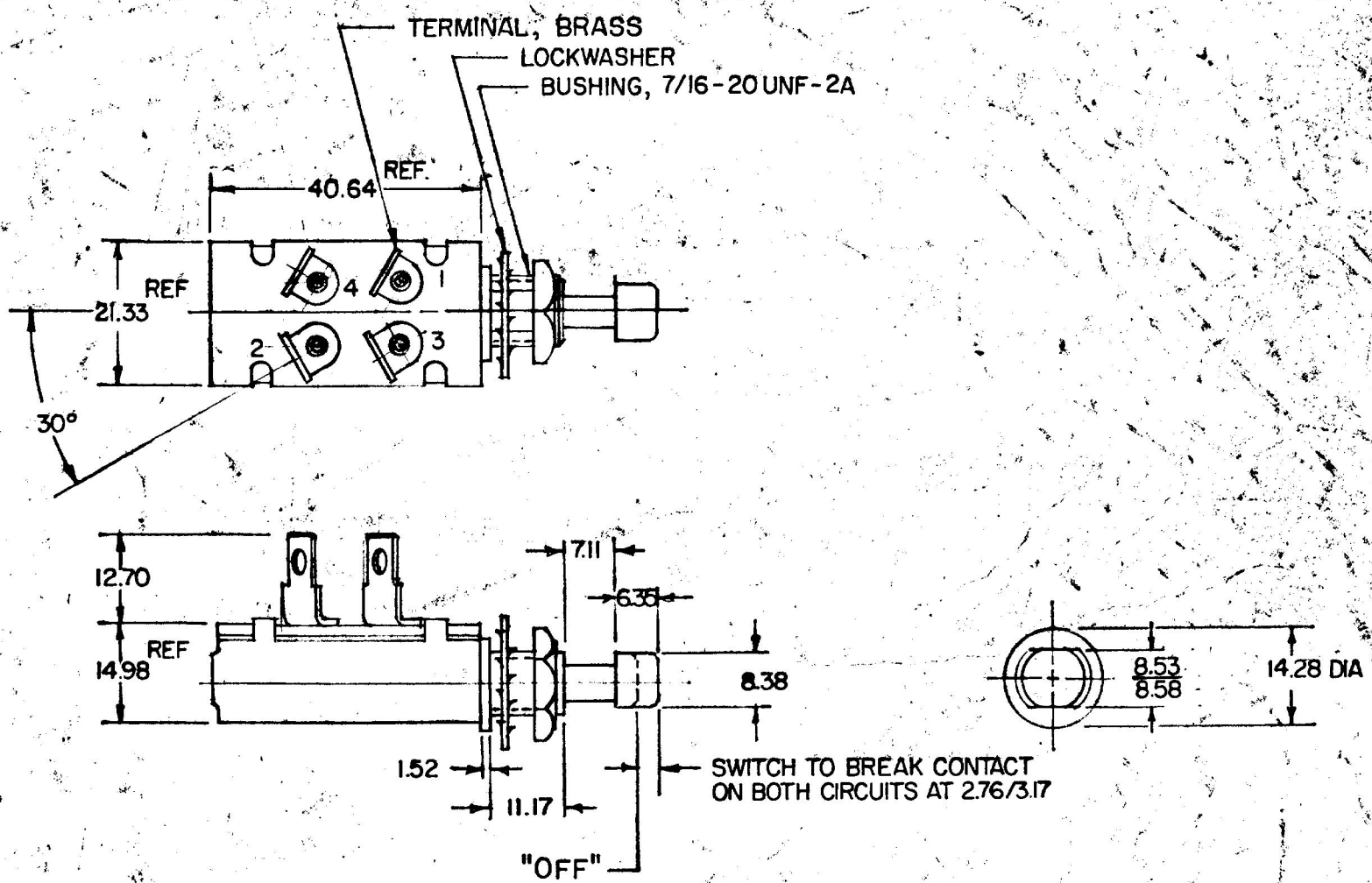


9211

MM	IN
1.25	.010
1.52	.060
2.76	.109
3.17	.125
6.35	.250
7.11	.280
8.13	.330
8.53	.338
8.58	.338
11.17	.440
12.70	.500
14.28	.567
14.98	.590
21.33	.840
40.64	1.600

REF.  
9260  
(SCREW)



**METRIC**

**NORMALLY "ON"**

NOTE:  
CIRCUITS ARE 1-3 & 2-4

DO NOT SCALE

ET.	WAS	DATE	BY	LET	WAS	DATE	BY	MATERIAL	DRAWN	CHECKED	APPR'D.	SCALE	DATE DRAWN
								#	AA	3-4-80		1:1	3-7-58
								FINISH	 Cole Hersee Co. <small>20 OLD COLONY AVENUE SOUTH BOSTON, MA. U.S.A. 02127</small>				DATE BLUEPRINT
								TOLERANCES					DPST MOM SWITCH
					LD REDRAWN	2-26-80	PR	DECIMAL ±					
								METRIC ± .25					

4-188(4-78)