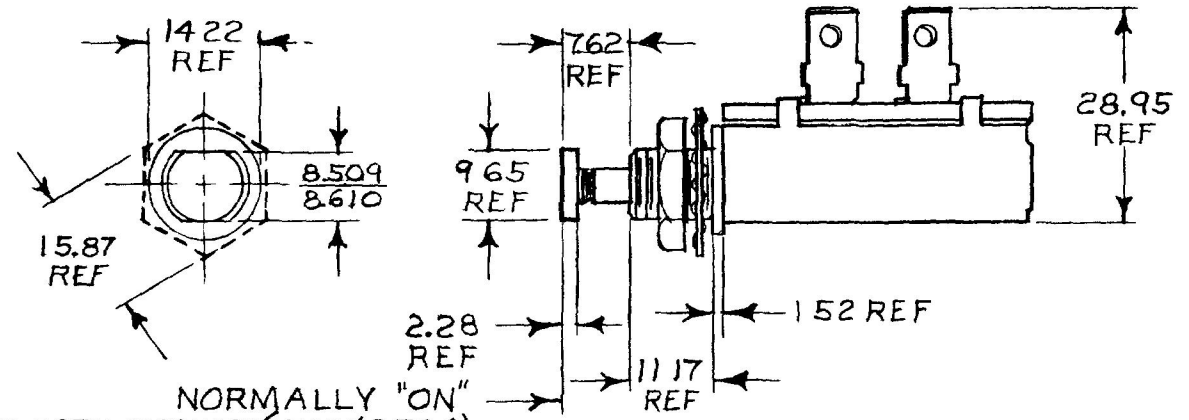
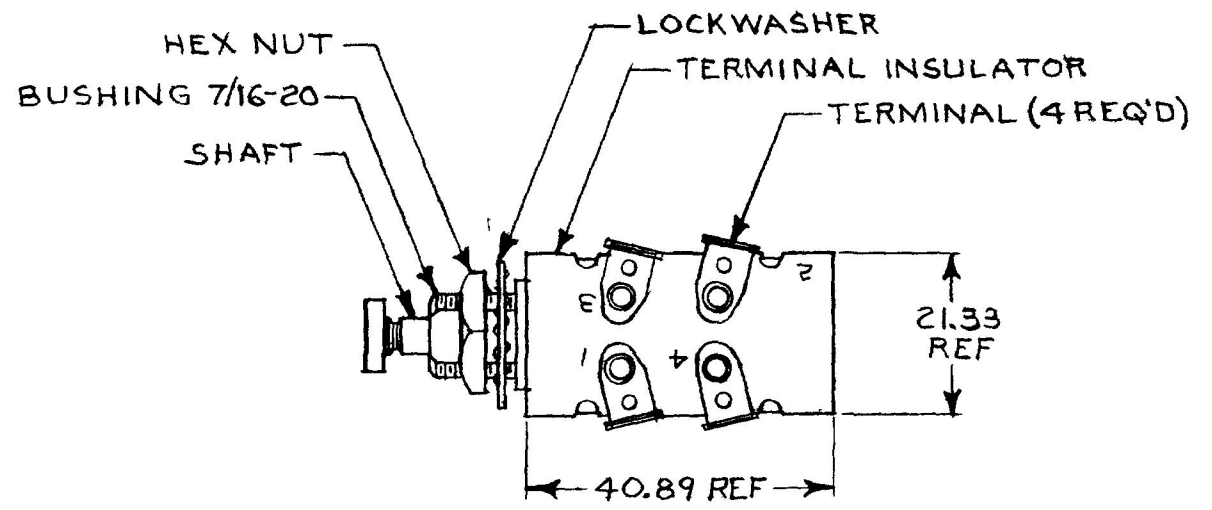


91801

MM IN  
 762 03  
 1.52 06  
 2 28 09  
 3.175 125  
 7.62 30  
 8.509 335  
 8.610 339  
 9.65 38  
 11.17 .44  
 14.22 56  
 15.87 .625  
 21.33 84  
 28.95 14  
 40.89 1.61



EX-14874

METRIC

NORMALLY "ON"

BREAKS CONTACT AT BOTH CIRCUITS (1 TO 3 & 2 TO 4)  
 AFTER DEPRESSING PLUNGER 3.175 ± 762 AND CONTACT  
 REMAINS BROKEN THRU THE REMAINDER OF FULL TRAVEL

DO NOT SCALE

LET	WAS	DATE	BY	LET	WAS	DATE	BY	MATERIAL	DRAWN	CHECKED	APPRVD	SCALE	DATE DRAWN
									EA			1:1	6-28-61
								FINISH	 COLE HERSEE CO. 100 COOK AVENUE SOUTH BOSTON MASS 02107				DATE BLUEPRINT
								TOLERANCES					
								DECIMAL ±	SWITCH, MOMENTARY, DPST 91801				
								METRIC ±					

CH 188(4 78)