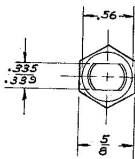
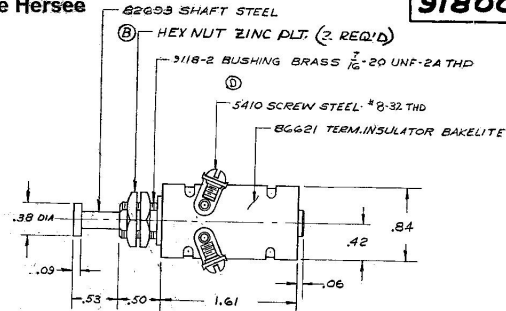


Confidential Property of Cole Hersee

91800

WAS EX-13089



PUSH-PULL FROM
"ON" TO "OFF"

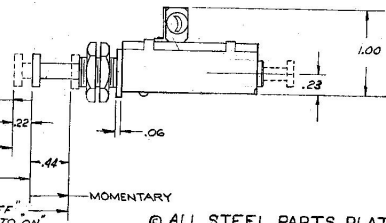
"OFF"

NORMALLY "ON"

"OFF"

MOMENTARY

SPRING RETURN TO "ON"
POSITION



© ALL STEEL PARTS PLATED

| LET | WAS | DATE | BY | LET | WAS | DATE | BY | MATERIAL | GRADE | CHECKED | APPR'D | SCALE | USED ON | DATE DRAWN | |
|-----|-----|------|----|-----|--------|-------|----------|----------|---|---------|--------|---|---------|------------|-------------|
| | | | | | | | | | E.A. | CB | | FULL | | 7-18-61 | |
| | | | | D | NOTE | 01/07 | 2/10/61 | SA | | | | | | | |
| | | | | C | NOTE | 05239 | 6/24/70 | J.H. | | | | | | | |
| | | | | R | REV | 20975 | 10-10-80 | C | | | | | | | |
| | | | | N | ISSUED | | 8-7-61 | B | | | | | | | |
| | | | | | | | | | TOLERANCES FRACTIONAL ±.015 DECIMAL ±.010 | | | NAME COLE-HERSEE COMPANY BOSTON 27, MASS., U. S. A. | | | DATE ISSUED |
| | | | | | | | | | NAME COMB. PUSH-PULL MOMENTARY DOOR SWITCH | | | PART NO. 91800 | | | |

COLE-HERSEE CO.