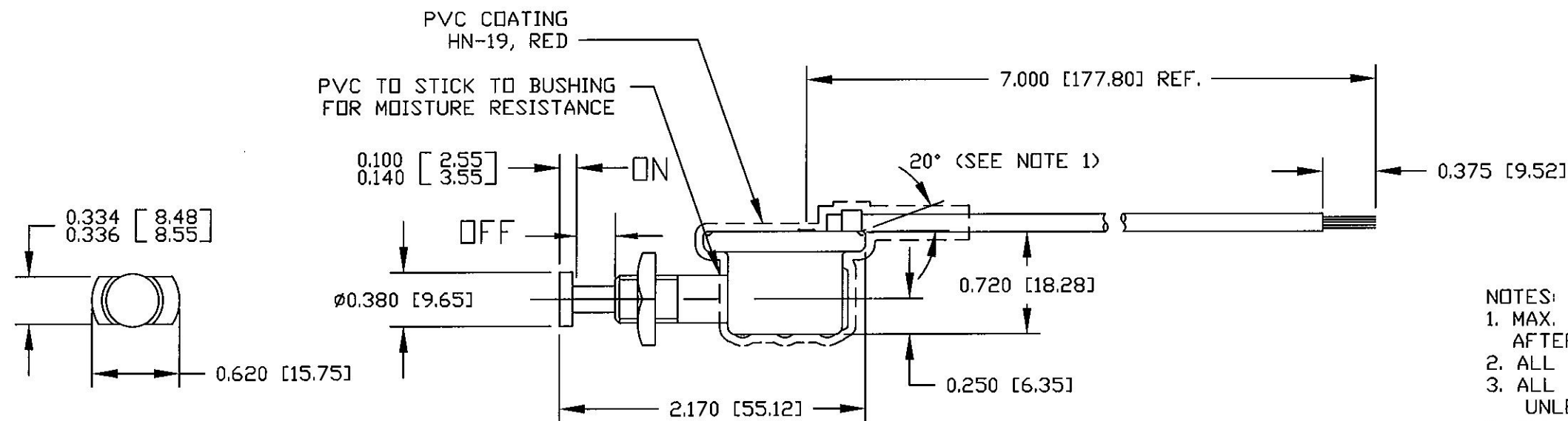
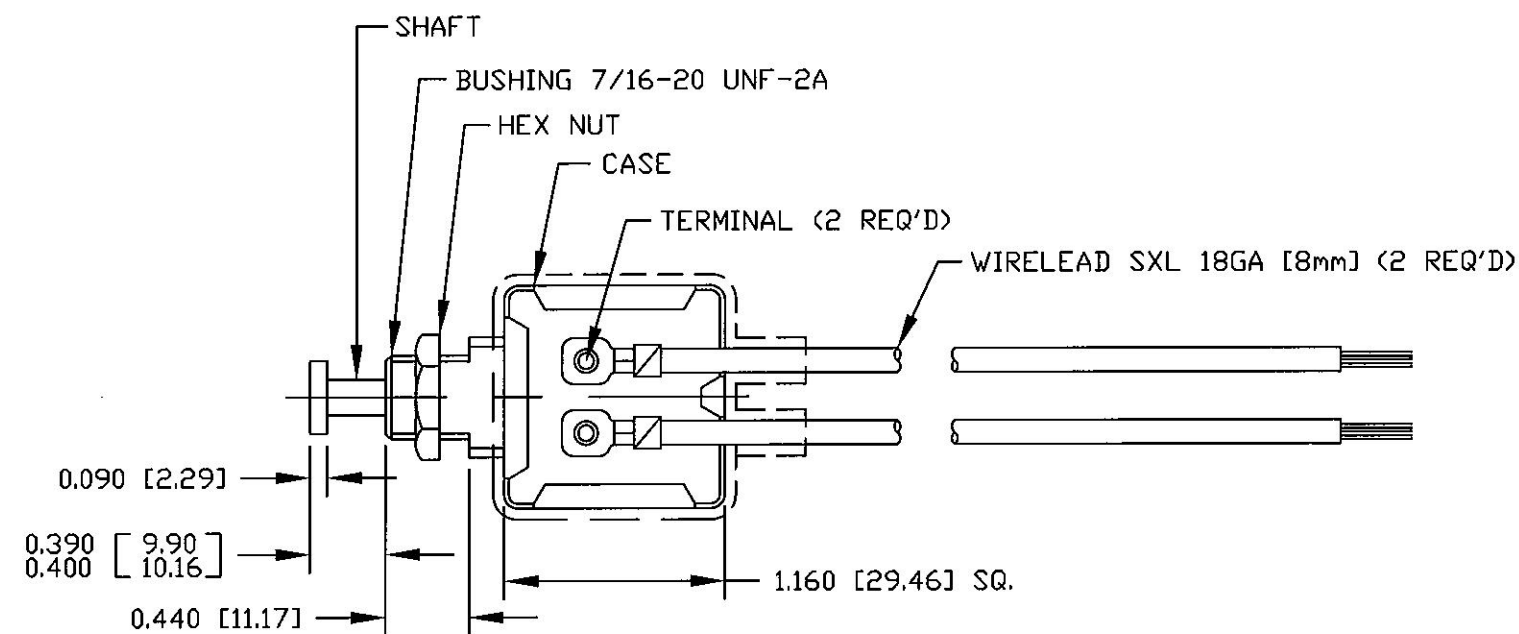


**Revision Control Record**

Rev.	Description of Change	ECN No.	Date
D	BOM CHANGE, ADD O-RING	09356	07/20/09



- NOTES:
1. MAX. UPWARD DEFLECTION OF WIRE-LEAD AFTER COATING 20°
  2. ALL STEEL PARTS PLATED
  3. ALL DIMENSIONS ARE REFERENCE UNLESS NOTED OTHERWISE
  4. ALL HARDWARE SHIPPED LOOSE
  5. O-RING SEAL IN BUSHING

**Tolerances** Unless otherwise specifically noted, the following are default tolerances:  
 • 2-place Decimal Dimensions +/- .02"  
 • 3-place Decimal Dimensions +/- .005"  
 • Angular Dimensions +/- 1.0 Deg.  
 • Metric: Refer to equivalent English Dimension Tolerance  
 >>> NOTE: All tolerances are Non-Cumulative. <<<

**Dimensional Units** All dimensions are expressed in inches except those shown in brackets (xxx) are expressed in millimeters

"REF." or an Asterisk (\*) = Non-Toleranced Reference Dimension, shown for clarification purposes only.

**PROPRIETARY INFORMATION** This Engineering Drawing, and the information contained herein, is proprietary to Cole Hersee Company and may not be disclosed, re-produced, or in any other way transferred or communicated to any other party without the express written consent of an authorized representative of Cole Hersee Company.

**DESIGN CONTROL** It is the responsibility of the Individual using/ referencing this drawing to assure that the noted design revision level agrees with the revision level of the Controlled Document (Master Drawing). This is a NON-CONTROLLED DOCUMENT unless otherwise specifically noted.

**DO NOT SCALE** - Dimensional variation may occur during printing/ reproduction.

**Special Characteristics:**

- Critical Characteristic, relating to Safety and/or Regulatory Compliance
- Significant Characteristic relating to Process Control (SPC)
- Control Dimension relating to Form - Fit - Function as defined by Cole Hersee Company and/or the Customer

(Note that the Identification of any Characteristics as being "Special" does not alter the requirement that ALL specified dimensions & tolerances must be met.)

**Cole Hersee Co.**  
 20 Old Colony Ave., South Boston, MA, 02127  
 Phn: 617-268-2100 Web: www.colehersee.com

**Description:** MOM. SWITCH, N.C.

**Drawing / Part No.:** 91126

**D**

Used On or Ref.: EX18376

Scale: 1:1

Drawn By: DPS

Date Drawn: 05/29/80

Responsible Engineer:

Pg. 1 of 1