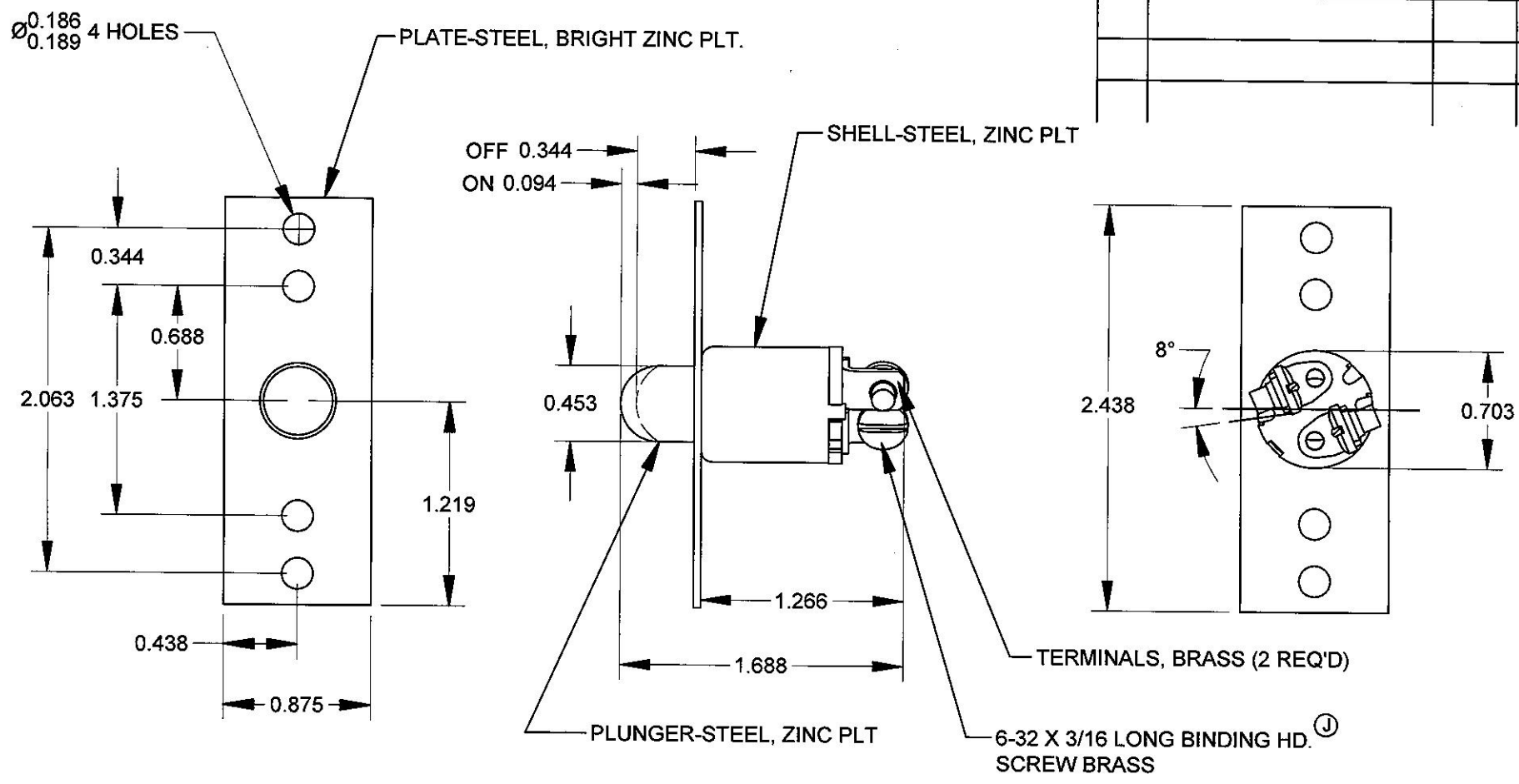


Revision Control Record

Rev.	Description of Change	ECN No.	Date
J	CHANGE NOTE	09170	03/03/09



[Ⓝ] NOTE:
 1. ALL DIMENSIONS ARE REFERENCE ONLY

Tolerances Unless otherwise specifically noted, the following are default tolerances:
 2-places $\pm 0.02''$
 3-places $\pm 0.005''$
 Angular $\pm 1'$
 Metric: Shown in [] refers to equivalent English Dim Tol
 REF. or an Asterisk (*) = Non-Toleranced Reference Dimension, shown for clarification purposes only.
 NOTE: All tolerances are Non-Cumulative.

PROPRIETARY INFORMATION This information contained herein, is proprietary to Cole Hersee Company and may not be disclosed, re-produced, or in any other way transferred or communicated to any other party without the express written consent of an authorized representative of Cole Hersee Company.

Special Characteristics:
 Critical Characteristic, relating to Safety and/or Regulatory Compliance
 Significant Characteristic relating to Process Control
 Control Dimension relating to Form - Fit - Function as defined by Cole Hersee Company and/or the Customer

Cole Hersee Co.
 20 Old Colony Ave., South Boston, MA, 02127
 Phn: 617-268-2100 Web: www.colehersee.com

Description:
DOOR SWITCH

Drawing / Part No.: **9087**

Current Rev.: **J**