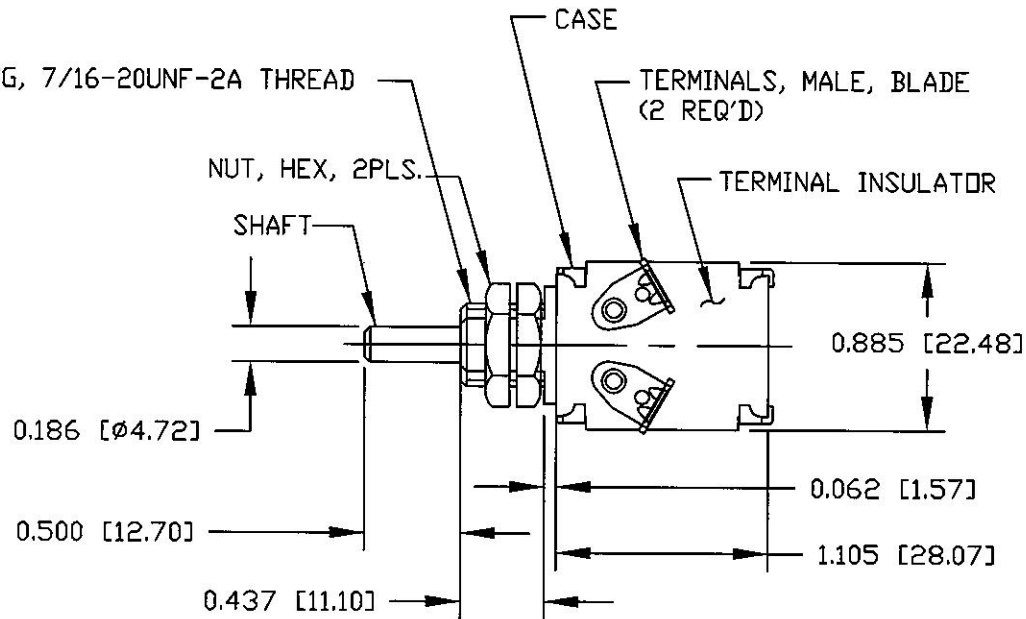


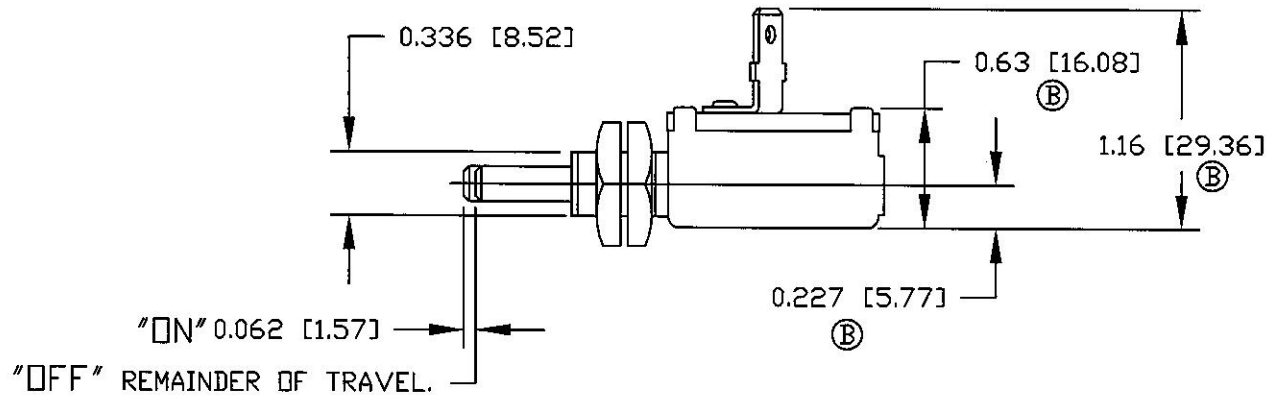
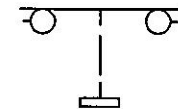
BUSHING, 7/16-20UNF-2A THREAD



**Revision Control Record**

Rev.	Description of Change	ECN No.	Date
A	DRAWING RELEASE ONLY	09421	8/19/09
B	DIMENSION CORRECTION	10333	9/14/10

**SCHEMATIC**



**NOTES:**

1. ALL STEEL PARTS ARE PLATED
2. 20 AMP @ 12V
3. ALL DIMENSIONS ARE REFERENCE UNLESS OTHERWISE SPECIFIED

**Tolerances** Unless otherwise specifically noted, the following are default tolerances:  
 \* 2-place Decimal Dimensions  $\pm .02"$   
 \* 3-place Decimal Dimensions  $\pm .005"$   
 \* Angular Dimensions  $\pm 1.0$  Deg.  
 \* Metric: Refer to equivalent English Dimension Tolerance  
 >>> NOTE: All tolerances are Non-Cumulative. <<<

**Dimensional Units** All dimensions are expressed in inches except those shown in brackets (xxx) are expressed in millimeters

\*REF.\* or an Asterisk (\*) = Non-Toleranced Reference Dimension, shown for clarification purposes only.

**PROPRIETARY INFORMATION** This Engineering Drawing, and the information contained herein, is proprietary to Cole Hersee Company and may not be disclosed, re-produced, or in any other way transferred or communicated to any other party without the express written consent of an authorized representative of Cole Hersee Company.

**DESIGN CONTROL** It is the responsibility of the individual using / referencing this drawing to assure that the noted design revision level agrees with the revision level of the Controlled Document (Master Drawing). This is a NON-CONTROLLED DOCUMENT unless otherwise specifically noted.

DO NOT SCALE - Dimensional variation may occur during printing / reproduction.

**Special Characteristics:**



Critical Characteristic, relating to Safety and/or Regulatory Compliance



Significant Characteristic relating to Process Control (SPC)



Key Characteristic relating to Form - Fit - Function as defined by Cole Hersee Company and/or the Customer

(Note that the identification of any Characteristics as being "Special" does not alter the requirement that ALL specified dimensions & tolerances must be met.)



**Cole Hersee Co.**

20 Old Colony Ave., South Boston, MA, 02127  
 Phn: 617-268-2100 Web: www.colehersee.com

Description:

**9055-08**

Drawing / Part No.:

**SW. DOOR. N.C**

Current Rev.

**B**

Used On or Ref.: EX-28696

Scale: 1:1

Drawn By: G.Auguste

Date Drawn: 8/19/09

Responsible Engineer: G.Auguste

Pg. 1 of 1