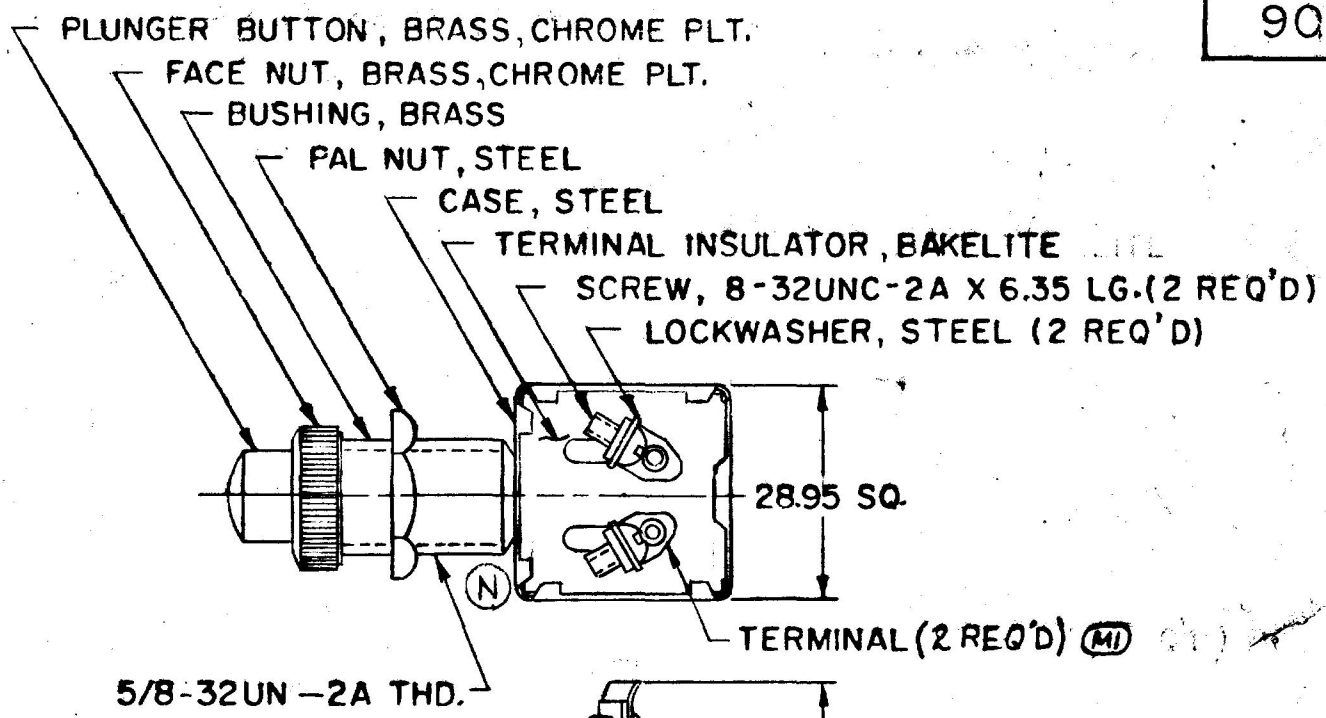
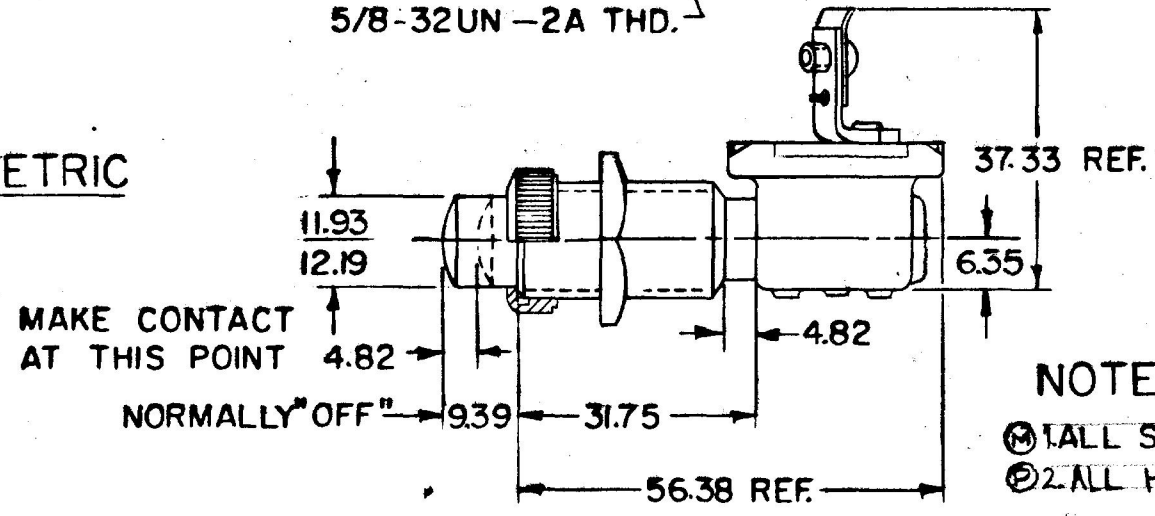


MM. IN.  
 2.5 0.10  
 3.2 0.125  
 3.5 0.138  
 3.9 0.154  
 4.3 0.169  
 4.7 0.185  
 5.1 0.201  
 5.5 0.217  
 5.9 0.233  
 6.3 0.249  
 6.7 0.265  
 7.1 0.281  
 7.5 0.297  
 7.9 0.313  
 8.3 0.329  
 8.7 0.345  
 9.1 0.361  
 9.5 0.377  
 9.9 0.393  
 10.3 0.409  
 10.7 0.425  
 11.1 0.441  
 11.5 0.457  
 11.9 0.473  
 12.3 0.489  
 12.7 0.505  
 13.1 0.521  
 13.5 0.537  
 13.9 0.553  
 14.3 0.569  
 14.7 0.585  
 15.1 0.601  
 15.5 0.617  
 15.9 0.633  
 16.3 0.649  
 16.7 0.665  
 17.1 0.681  
 17.5 0.697  
 17.9 0.713  
 18.3 0.729  
 18.7 0.745  
 19.1 0.761  
 19.5 0.777  
 19.9 0.793  
 20.3 0.809  
 20.7 0.825  
 21.1 0.841  
 21.5 0.857  
 21.9 0.873

9044



METRIC



NOTE:

- Ⓜ ALL STEEL PARTS PLATED
- Ⓜ 2 ALL HARDWARE SHIPPED LOOSE

SIMILAR TO #9033 EXCEPT WITH #8304 FACE NUT

10 AMPS @ 12V DC

DO NOT SCALE

LET	WAS	DATE	BY	LET	WAS	DATE	BY	MATERIAL	DRAWN	CHECKED	APPRV'D.	SCALE	DATE DRAWN
								—	RG	9-26-78		1:1	9-18-46
				P	ECN # 99173	5/13/49	RF	FINISH					DATE BLUEPRINT
				N	ECN # 27104 HAM CUTOUT S	2/23/78	MP						
				M	STEEL C808 RINC 25234	6/1/92	LH	TOLERANCES					
				L	REDRAWN	9-25-78	VK	FRACTIONAL ± DECIMAL ±0.25	STARTER SWITCH ASS'Y				9044

**CH** Cole Hersee Co.  
 20 OLD COLONY AVENUE, SOUTH BOSTON, MA. U.S.A. 02127

CH-188 (4-78)