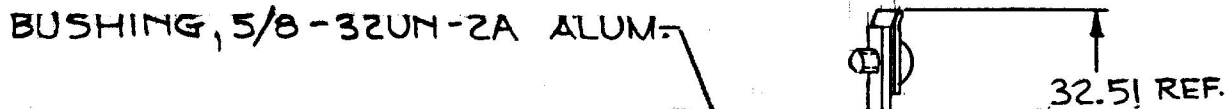
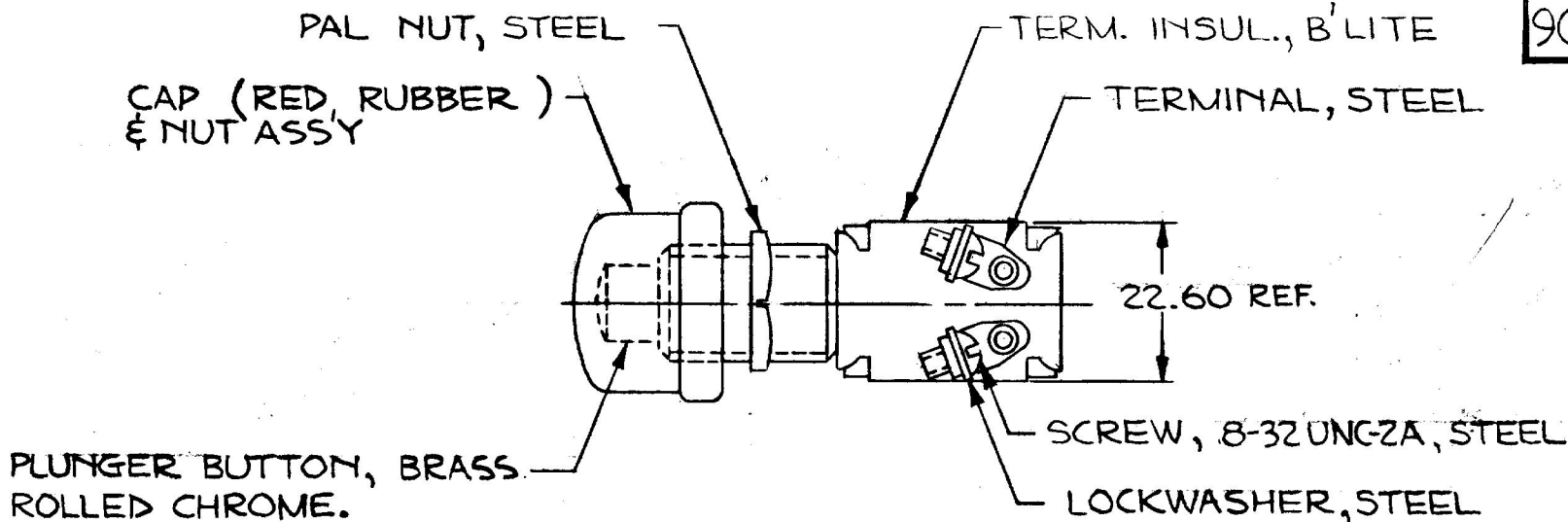


MM.	IN.
0.25	.010
2.94	.116
3.14	.124
9.39	.370
22.09	.870
22.60	.890
32.51	1.280
50.80	2.000

9023-09



ON" WHEN DEPRESSED
2.94/3.14 & THRU. REMAINDER
OF TRAVEL.

NORMALLY "OFF"

9.39 22.09 50.80

NOTE:

(A) I. ALL STEEL PARTS PLATED

METRIC

10 AMPS @ 12 VOLTS

DO NOT SCALE

LET	WAS	DATE	BY	LET	WAS	DATE	BY	MATERIAL	DRAWN	CHECKED	APPR'D.	SCALE	BASIC EXCEPT W/CAP & NUT ASSY	DATE DRAWN
								—H—	VK	6-23-78		1=1		5-10-78
								FINISH —H—	COLE-HERSEE COMPANY BOSTON, MASS. 02127, U.S.A.				DATE BLUEPRINT	
								TOLERANCES FRACTIONAL ± DECIMAL ±0.25					MOMENTARY SWITCH	
				A	ADOK ZINC/25234	11/9/92	JN							
					ISSUED	9-29-78								

COLE-HERSEE CO.
 NPM 9-29-78
 EX-18147