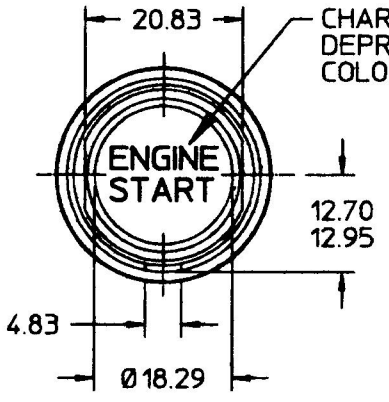


90047-01

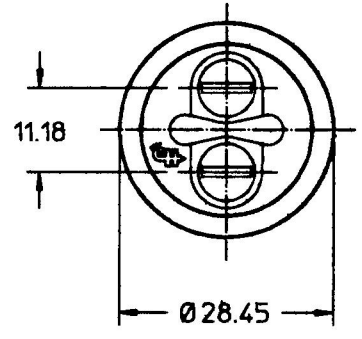
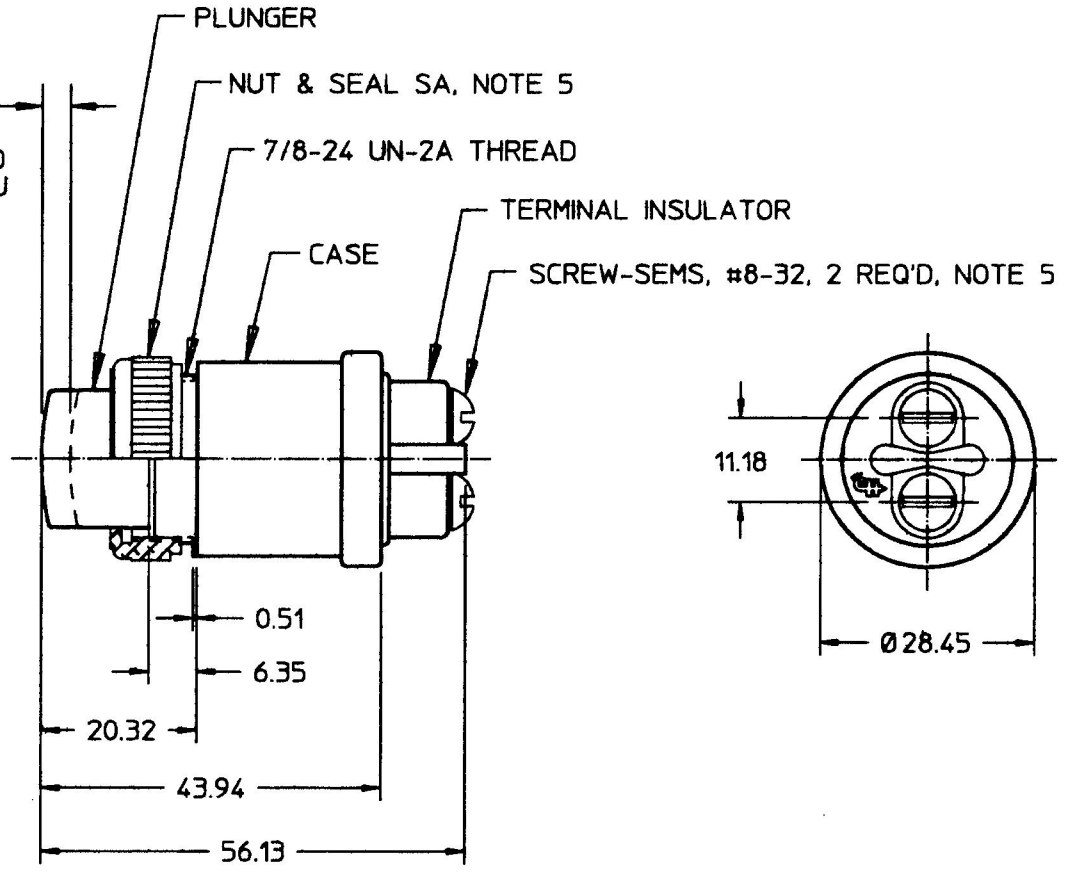
MM	IN
0.51	0.020
3.81	0.150
4.83	0.190
6.35	0.250
11.18	0.440
12.70	0.500
12.95	0.510
18.29	0.720
20.32	0.800
20.83	0.820
28.45	1.120
43.94	1.730
56.13	2.210

CONTACTS NORMALLY OPEN, CLOSED WHEN PLUNGER IS DEPRESSED 3.87 APPROX. AND THRU REMAINDER OF TRAVEL



FRONT VIEW LESS FACE NUT

CHARACTERS DEPRESSED COLOR WHITE



- NOTES:
1. ALL STEEL PARTS PLATED
 2. ALL DIMENSIONS ARE REFERENCE ONLY
 3. ALL CONTACT SURFACES SILVER
 4. SWITCH TO FIT PANELS 1.016 TO 2.54 THK
 5. PARTS MAYBE ASSEMBLED OR SUPPLIED IN BAG

METRIC

DO NOT SCALE

LET.	WAS	DATE	BY	LET.	WAS	DATE	BY	MATERIAL	DRAWN	CHK	APVD	SCALE	BASIC W/LIP SEAL & NUT ASSY	DATE DRAWN
									TC	jmp		1:1		6/11/73
								FINISH	Cole Hersee Co. 20 OLD COLONY AVENUE, BOSTON, MA., U.S.A., 02127				DATE BLUEPRINTED	
								TOLERANCES	SWITCH, MOM, N.O. 90047-01					
				E	PUT ON CAD ECN #26936	7/23/97	AJS	DECIMAL ± ANGLE ±						