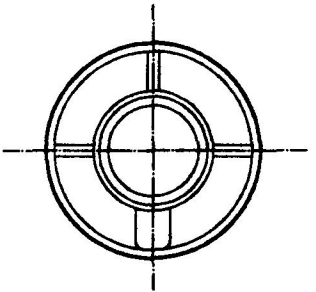
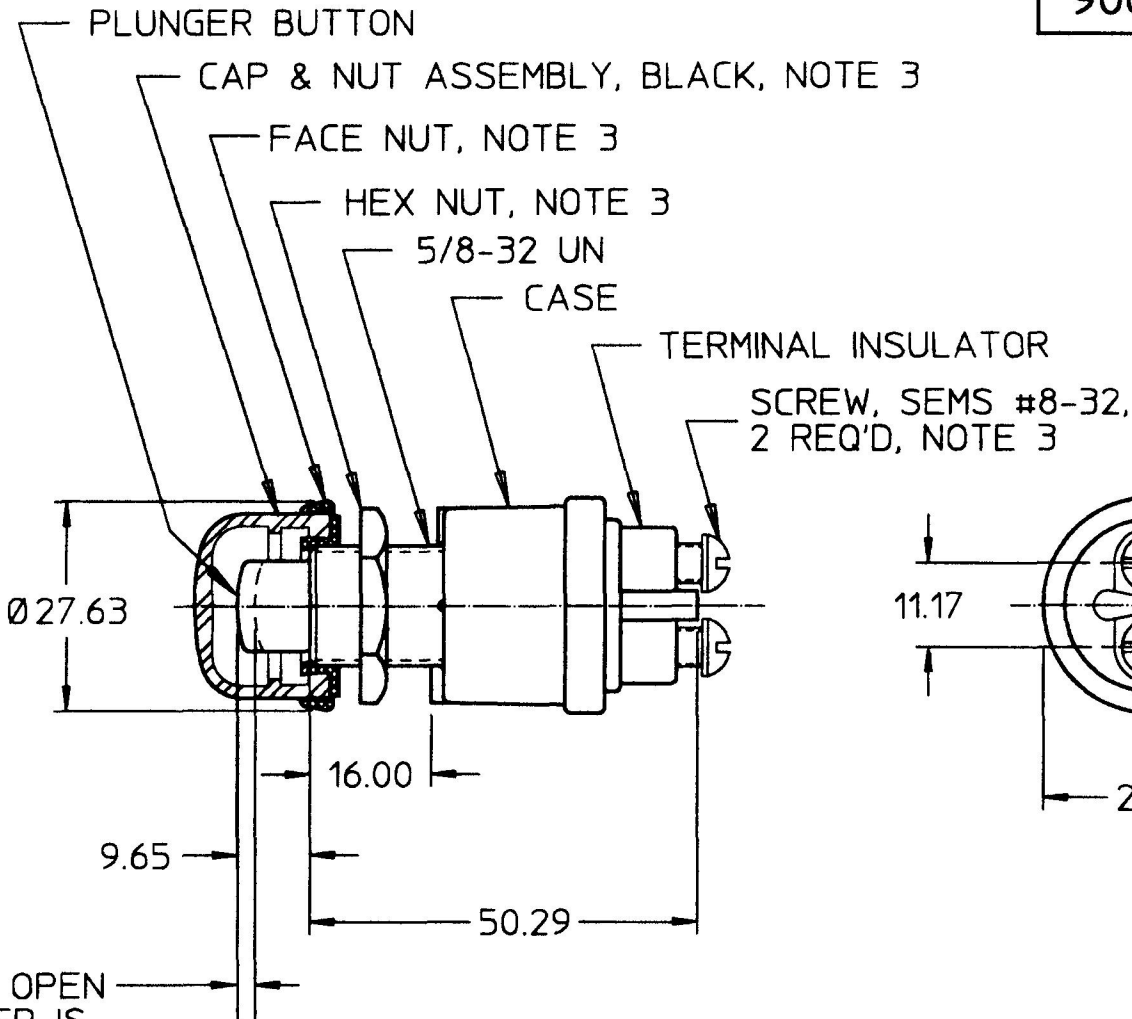


90030-53

MM	IN
1.77	0.070
9.65	0.380
11.17	0.440
16.00	0.630
27.63	1.088
28.44	1.120
50.29	1.980



FRONT VIEW OF CASE

CONTACTS NORMALLY OPEN  
CLOSED WHEN PLUNGER IS  
DEPRESSED 1.77 APPROX.  
AND THRU REMAINDER OF  
TRAVEL

METRIC

35 AMPS	12 VDC
20 AMPS	24 VDC
<b>CURRENT RATING</b>	

- NOTES:
1. ALL STEEL PARTS PLATED
  2. SILVER CONTACT SURFACES
  3. HARDWARE ASSEMBLED

DO NOT SCALE

LET.	WAS	DATE	BY	LET.	WAS	DATE	BY	MATERIAL	DRAWN	CHK	APVD	SCALE	DATE DRAWN
									AJS	JMP	AF	1:1	8/15/97
								FINISH	<b>Cole Hersee Co.</b> 20 OLD COLONY AVENUE, BOSTON, MA., U.S.A., 02127				DATE BLUEPRINTED
								TOLERANCES DECIMAL ± ANGLE ±					SW, P-P, MOM, N.O.
					ISSUED	8/27/97	AF						