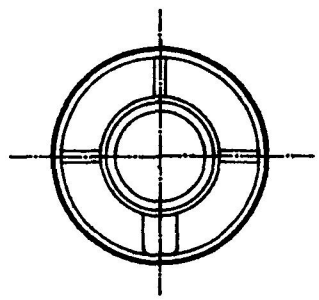
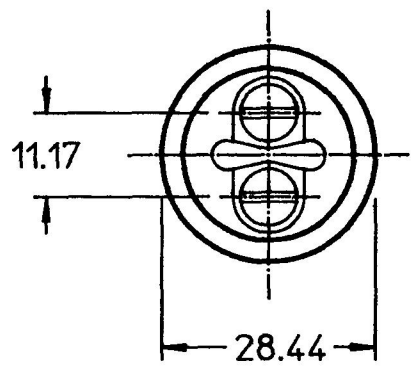
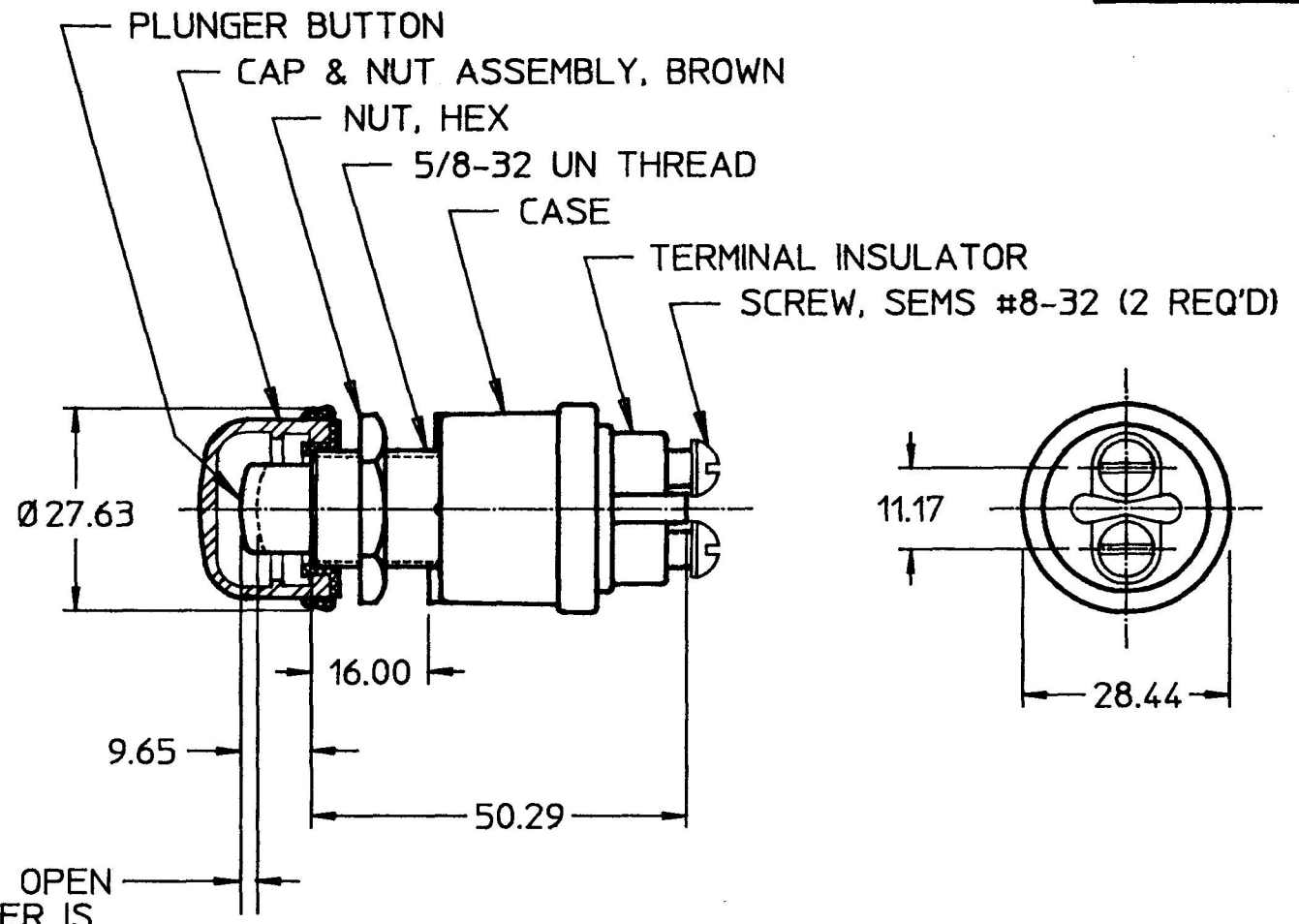


| MM | IN |
|-------|-------|
| 1.77 | 0.070 |
| 9.65 | 0.380 |
| 11.17 | 0.440 |
| 16.00 | 0.630 |
| 27.63 | 1.088 |
| 28.44 | 1.120 |
| 50.29 | 1.980 |



FRONT VIEW OF CASE



CONTACTS NORMALLY OPEN
CLOSED WHEN PLUNGER IS
DEPRESSED 1.770 APPROX.
AND THRU REMAINDER OF
TRAVEL

| | |
|-----------------------|--------|
| 35 AMPS | 12 VDC |
| 20 AMPS | 24 VDC |
| CURRENT RATING | |

- NOTES:
1. ALL STEEL PARTS PLATED
2. SILVER CONTACT SURFACES

METRIC

DO NOT SCALE

| LET. | WAS | DATE | BY | LET. | WAS | DATE | BY | MATERIAL | DRAWN | CHK | APVD | SCALE | 90030 EXCEPT WITH BEIGE CAP & NUT ASSY | DATE DRAWN |
|------|-----|------|----|------|------------|---------|-----|------------------------------------|--|-----|------|-------|--|------------------|
| | | | | | | | | | RW | JL | | 1:1 | | 4/7/71 |
| | | | | | | | | FINISH | Cole Hersee Co. 20 OLD COLONY AVENUE, BOSTON, MA, U.S.A. 02127 | | | | | DATE BLUEPRINTED |
| | | | | | | | | TOLERANCES DECIMAL ± ANGLE ± | | | | | | SWITCH, MOM, NO |
| | | | | K | PUT ON CAD | 1/25/93 | MJT | | | | | | | |