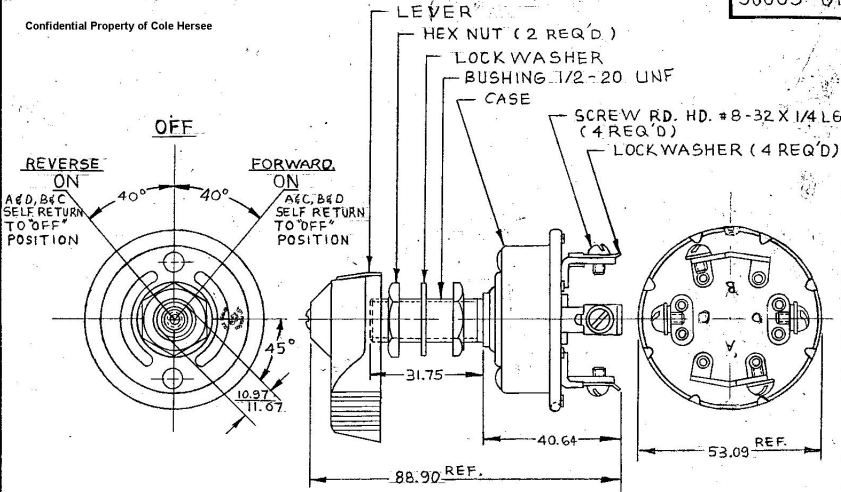


90005-01

Confidential Property of Cole Hersee

N 1.00
 25 .010
 37 .432
 37 .436
 75 1.250
 84 1.600
 89 2.090
 90 3.500



NOTES:
 1. SILVER LAMINATED CONTACT SURFACES
 2. ALL STEEL PARTS PLATED.

METRIC

DO NOT SCALE

LET.	WAS	DATE	BY	LET	WAS	DATE	BY	MATERIAL	DRAWN	CHECKED	APPR'D.	SCALE	DATE DRAWN
								NOTED	NB	AF		1:1	11-6-67
								FINISH	Cole Hersee Co. 100005-01 (REV. 8-28-67) (M. J. L. 10-67)				DATE BLUEPRINT
				G	01452	3/6/61	JH	NOTED					
				F	ECW 3 99191	5/10/61	JRF	TOLERANCES	SW, 3POS. ROTARY				90005-01
				E	REDRAWN	5/14/60	BL	DECIMAL ± .25 METRIC ± .25					