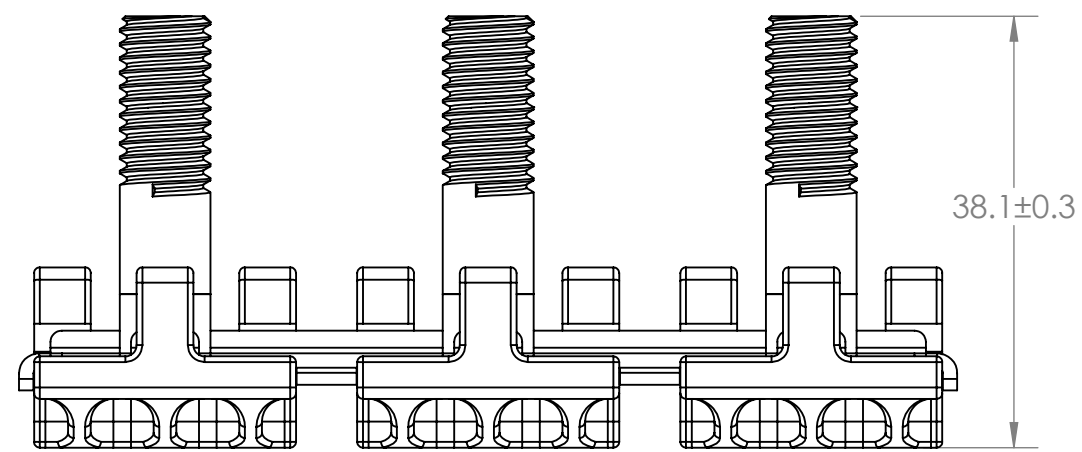
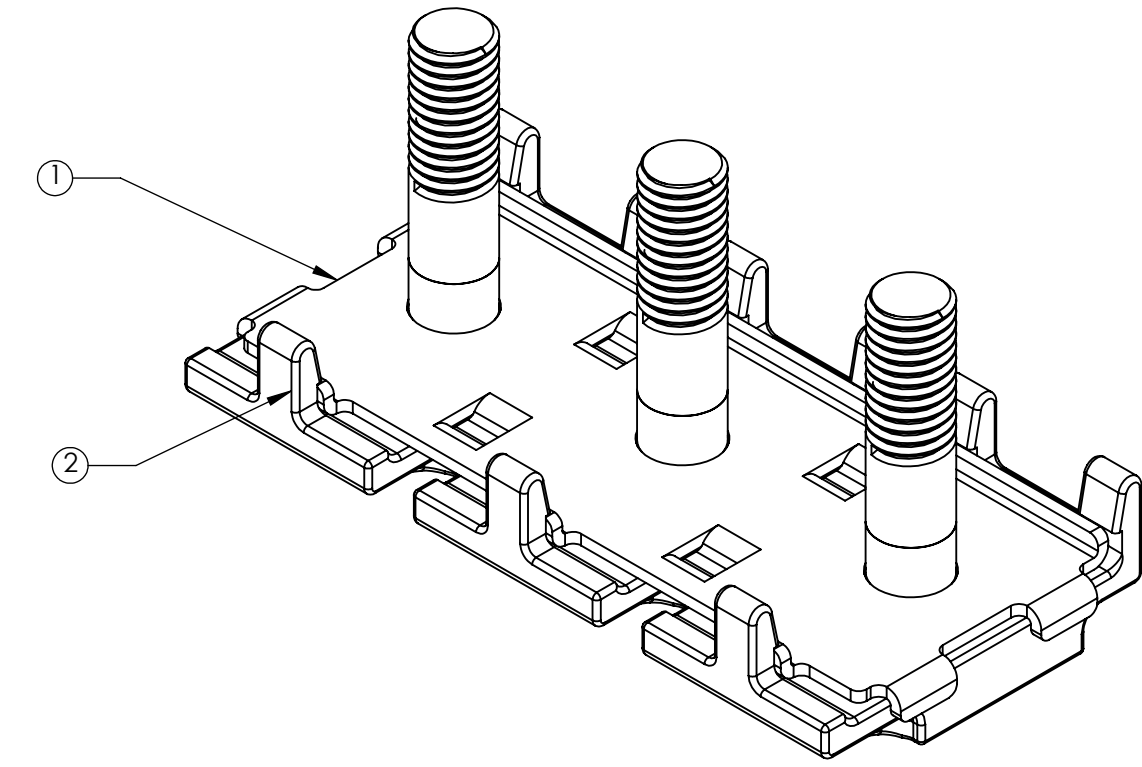
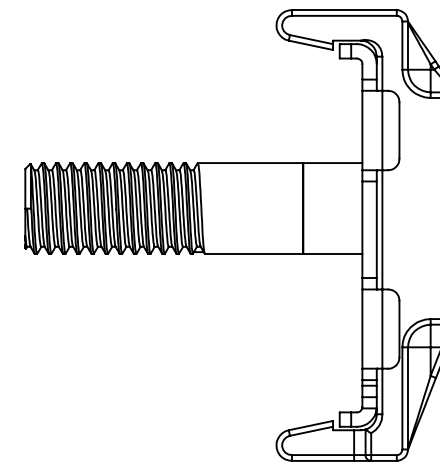
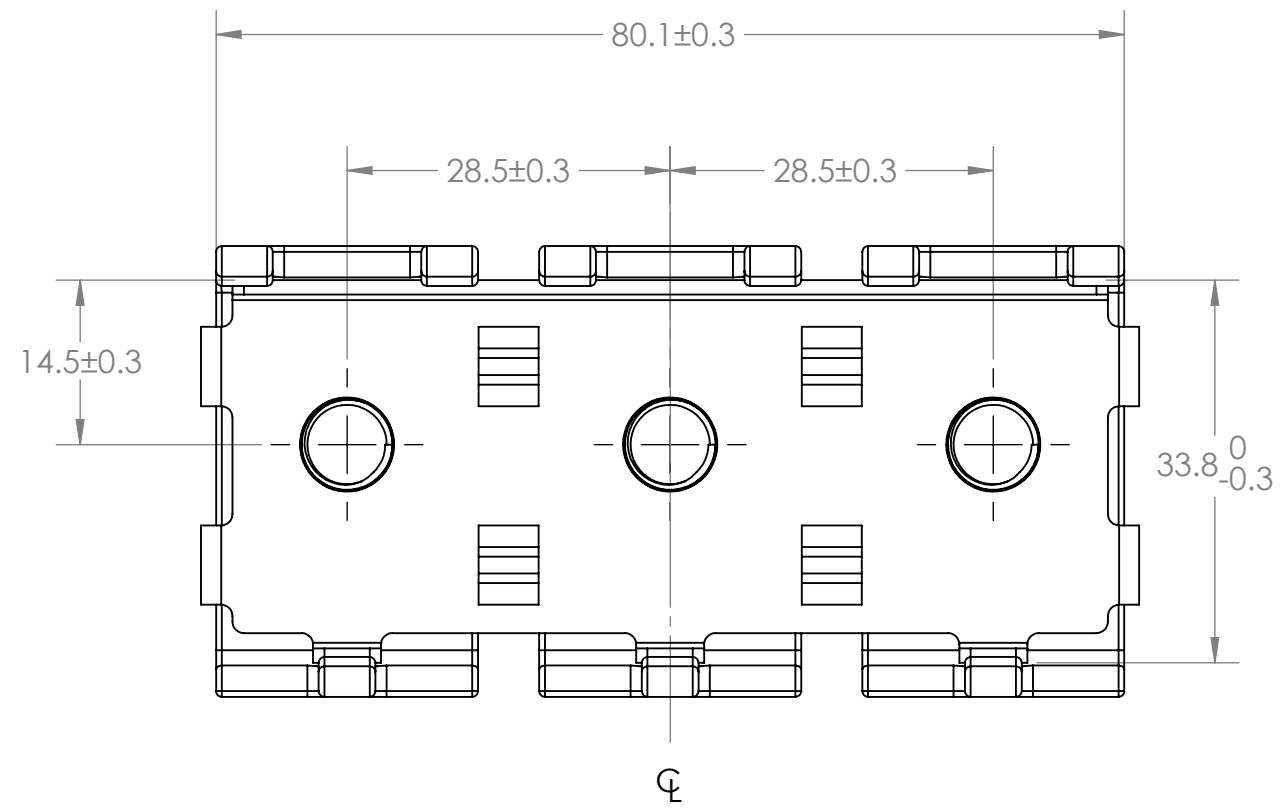


| REVISIONS | | | | |
|-----------|------|--------------------------------|-----------|----------|
| ZONE | REV. | DESCRIPTION | DATE | APPROVED |
| | A | PER EC#514694: INITIAL RELEASE | 6/22/2015 | J. LIU |



| BOM | | | |
|------|----------------------|---|-----|
| ITEM | DESCRIPTION | MATERIAL | QTY |
| 1 | FUSE HOLDER TERMINAL | ALLOY C19400 (ASTM #B465) 100% TIN OVER NICKEL | 1 |
| 2 | FUSE HOLDER - M8 | | 3 |

DIMENSIONS ARE IN MM.
DIMENSIONS AND TOLERANCES ARE DEFINED ACCORDING TO ANSI / ASME Y14.5M-1994

THIS DRAWING AND THE INFORMATION CONTAINED WITHIN IT ARE CONFIDENTIAL AND MAY NOT BE COPIED OR DISCLOSED WITHOUT THE WRITTEN PERMISSION OF LITTELFUSE.

| NAME | DATE |
|--------------|-----------|
| DRAWN J. Liu | 6/22/2015 |
| CHECKED - | - |
| - | - |
| - | - |
| - | - |

THIRD ANGLE PROJECTION

Littelfuse
Export/Import Division | Americas Division
805 W ORCHARD DR., STE 6, BELLINGHAM, WA 98226
Phone (360)738-9010 Fax (360)738-0372

BUS BAR AND STUD ASSM-ZCASE HOLDER 3WAY

SIZE C DWG. NO. **882-853** REV. **A**
SCALE 1.5:1 SHEET 1 OF 1