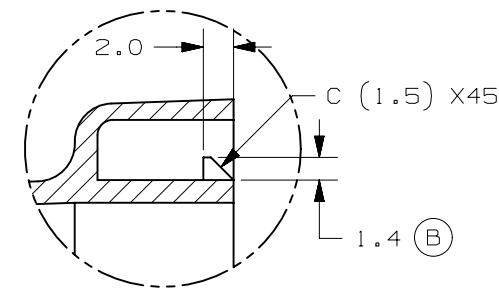
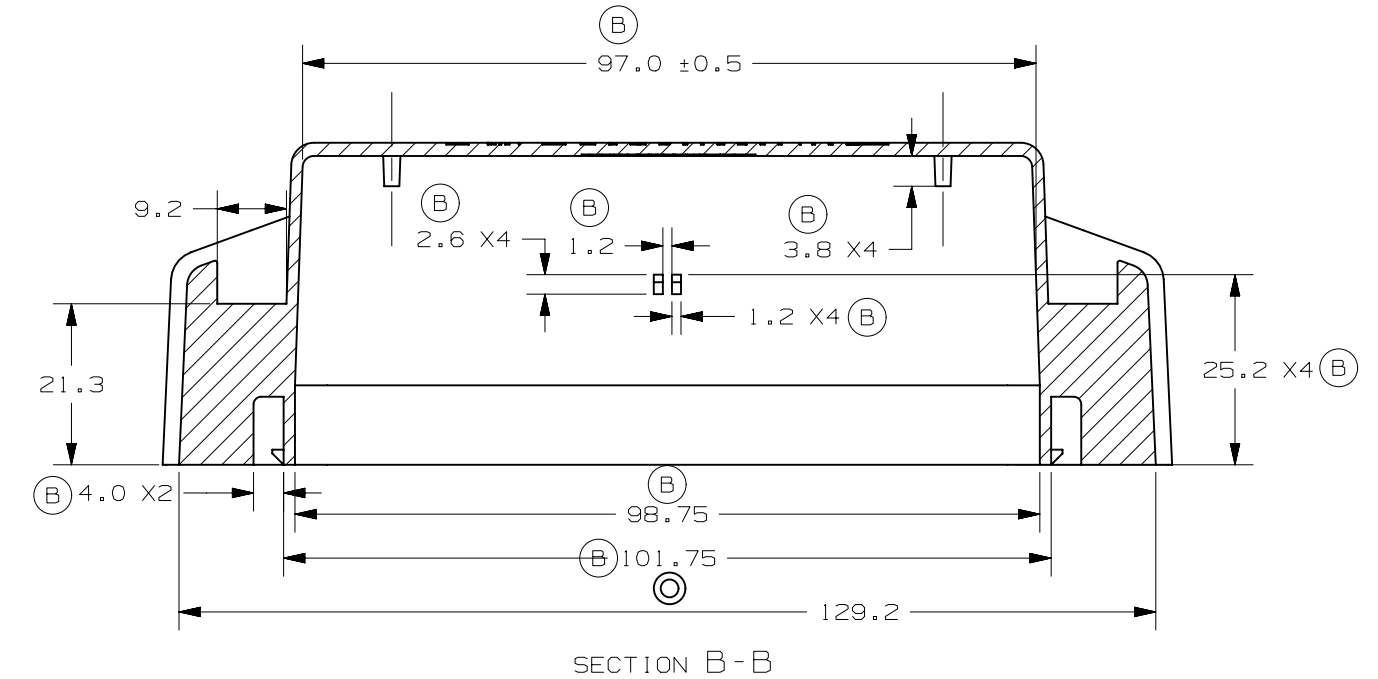
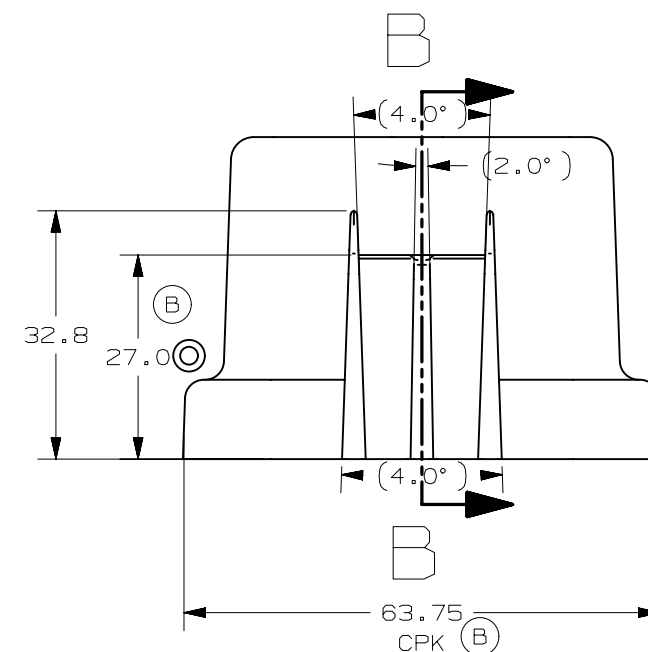
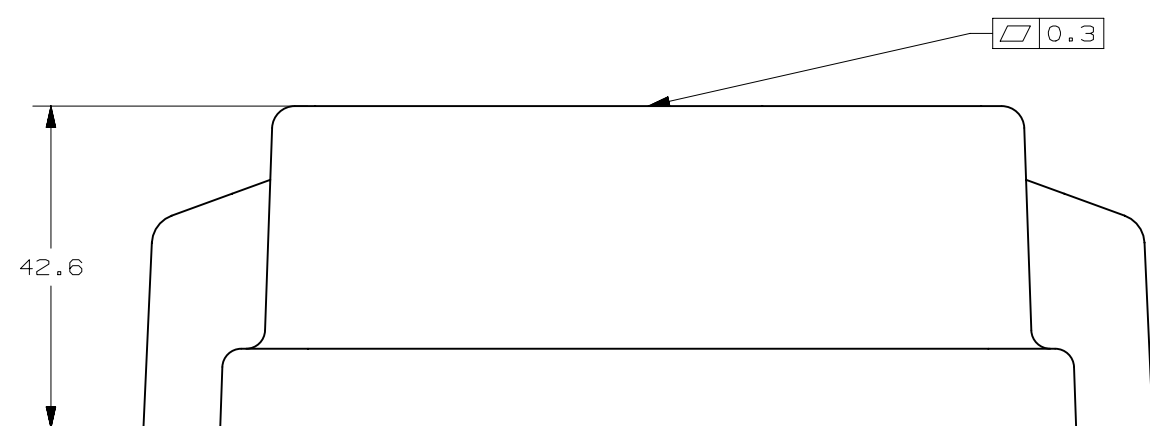
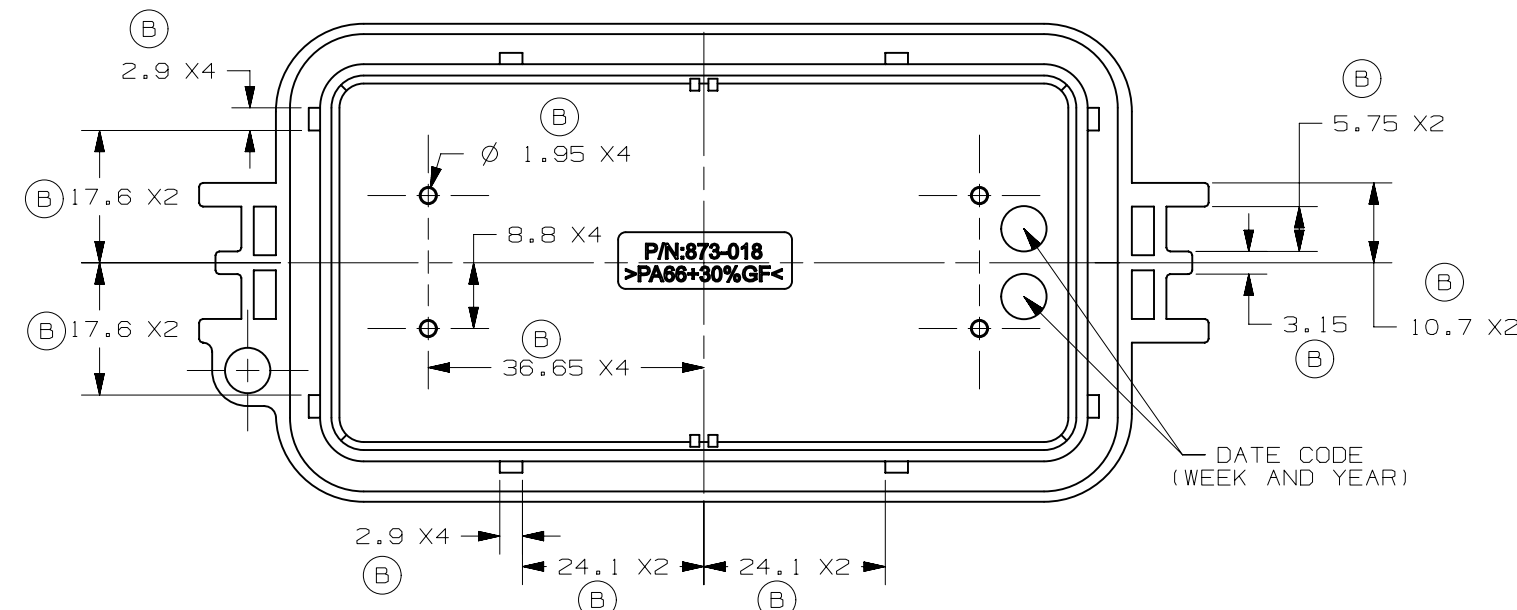
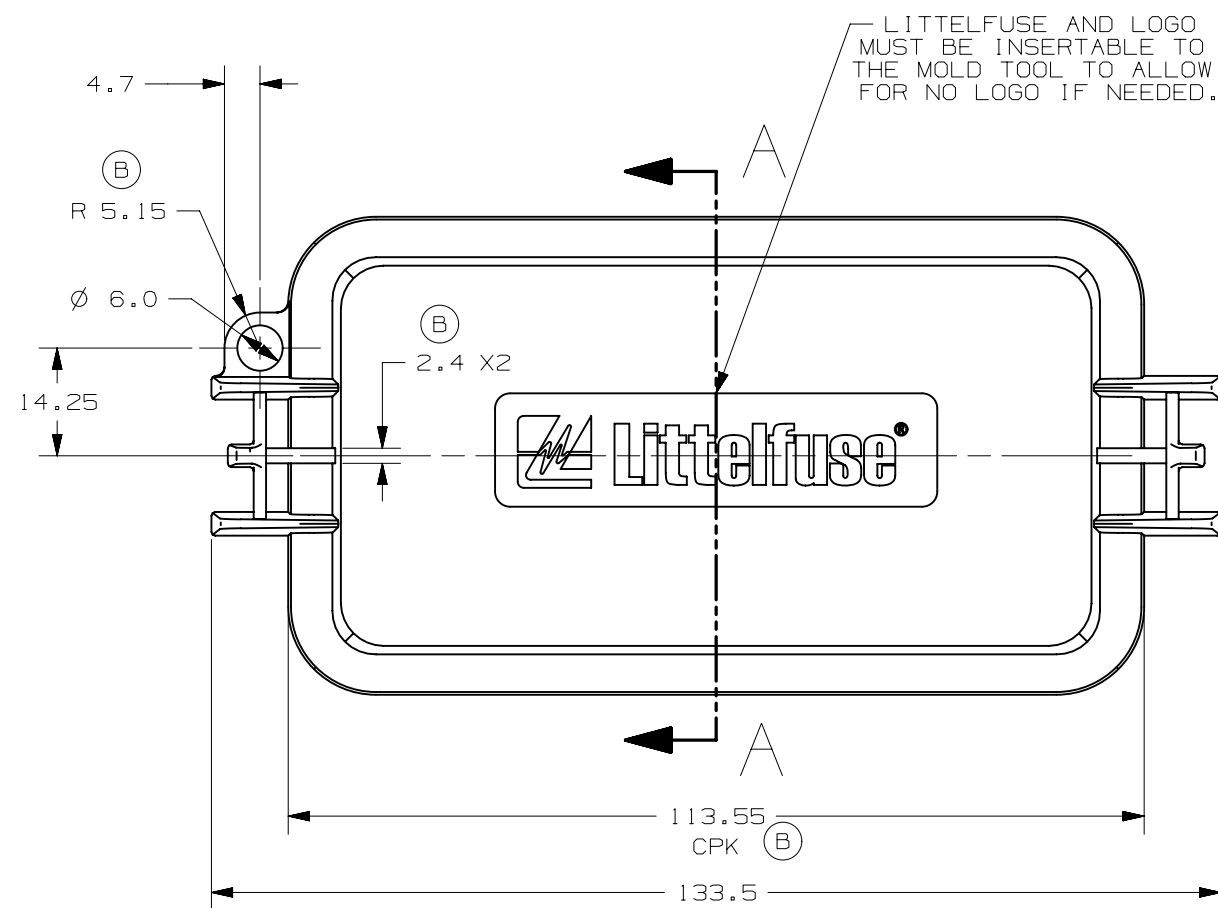
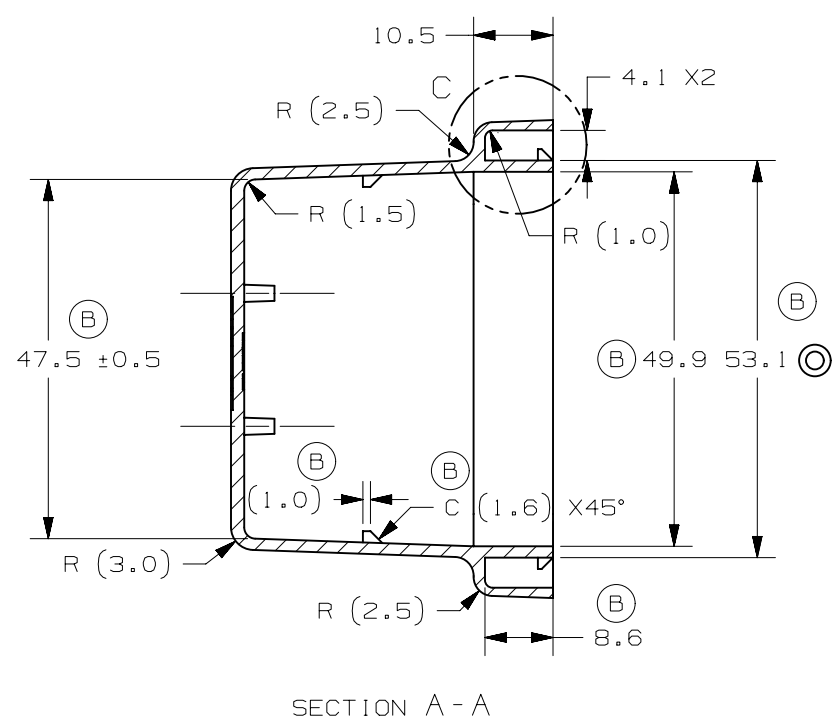


LTR	DATE	REVISION	CHK	APD
A	07/29/14	510769ERA-NEW RELEASE FYUE		
B	12/30/14	511250ECA-ADD RIBS AND UPDATE DIMENSIONS BASE ON ACTUAL PARTS FYUE		



DETAIL C
SCALE 2:1



SECTION A-A

STANDARD NOTES FOR MOLDED PARTS:

- UNLESS OTHERWISE NOTED, DRAFT COULD BE 0.5 TO 1°.
- UNDESIGNATED CORNERS SHALL NOT EXCEED 0.15mm.
- EJECTORS PERMITTED ONLY ON THE SURFACES SHOWN. EJECTOR PIN MARKS MAY BE RECESSED IN PLASTIC UP TO 0.1mm. EJECTORS SHALL NOT LEAVE PLASTIC STANDING BEYOND THE DESIGN SURFACES. EJECTOR PIN SIZE, SHAPE, AND SPECIFIC LOCATION SHALL BE REVIEWED AND APPROVED BY LITTELFUSE MANUFACTURING ENGINEERING PRIOR TO TOOL CONSTRUCTION.
- UNLESS OTHERWISE NOTED, FLASH SHALL NOT EXCEED 0.1mm AT ANY LOCATION.
- SINK MARKS SHALL NOT EXCEED 0.05mm IN DEPTH. NO PROTRUSIONS ARE ALLOWED.
- ANY MOLDED-IN CHARACTERS SHALL BE RECESSED IN PLASTIC AND HAVE A DEPTH OF 0.25mm MAX.
- THE 3D MODEL OF THIS PART IS TO BE USED AS A REFERENCE ONLY. UNLESS OTHERWISE NOTED, ACCEPTANCE OF PRODUCT WILL BE BASED ENTIRELY ON CONFORMANCE TO THE DIMENSIONS AND TOLERANCES SHOWN ON THIS DRAWING.
- A TOOL DESIGN REVIEW MUST BE CONDUCTED PRIOR TO FABRICATION OF ANY TOOLING. FABRICATION OF TOOLING SHALL BEGIN ONLY AFTER APPROVAL OF THE TOOL DESIGN BY LITTELFUSE MANUFACTURING ENGINEERING.
- REGRIND SHALL NOT EXCEED 25%.
- EACH CAVITY SHALL HAVE A UNIQUE ID MARK. LITTELFUSE MFG. WILL APPROVE LOCATION AND TYPE.

NO	COMPONENT NO	DESCRIPTION	QTY/M	U/M
-				
-				
-				

BILL OF MATERIAL

UNLESS OTHERWISE SPECIFIED, DIMENSIONS ARE IN MILLIMETERS. DIMENSIONS IN BRACKETS [] ARE INCHES.

UNLESS OTHERWISE SPECIFIED, DIMENSIONS DO NOT INCLUDE PLATING.

CPK DENOTES CPK DIMENSIONS, -MINIMUM CPK VALUE

ST DENOTES A CHARACTERISTIC THAT PROVIDES AN INDICATION OF PROCESS PERFORMANCE. PROCEDURE FOR MEASUREMENT AND TRACKING TO BE DEFINED IN LITTELFUSE INSPECTION INSTRUCTIONS

CP DENOTES CP DIMENSIONS, -MINIMUM CP VALUE MUST BE WITHIN THE DIMENSIONAL LIMITATIONS SHOWN ON DRAWING AND INITIALLY LOCATED TO ALLOW FOR MAXIMUM TOOL LIFE

COPIES TO	MATL SPEC
1 9 18	Mapex PA66 A0520FN-03 BK (30%GF)
2 10 19	FINISH
3 12 20	TEXTURE: YS1283
4 13 21	DRW FYUE DATE 06/06/14 SCALE 1:1
5 14 23	CHK DATE SUPER DR
6 15 33	APPD DATE FINSH GOOD WT
7 16 43	
8 17 53	GRAMS/PIECE

TOLERANCES UNLESS OTHERWISE SPECIFIED (REF. ISO 2768-PM)	0.5 - 3	3 - 6	6 - 30	30 - 120	120 - 400
DIMENSION	±0.05	±0.05	±0.1	±0.15	±0.2
TOLERANCE					

3RD ANGLE PROJECTION	TITLE	REVISION	DRWG. NO.
	COVER	B	873-018

METRIC COMPONENT

Littelfuse
CHICAGO, USA 773-628-1000

CAD GENERATED DRAWING - NO PENCIL CHANGES ALLOWED (REV C)