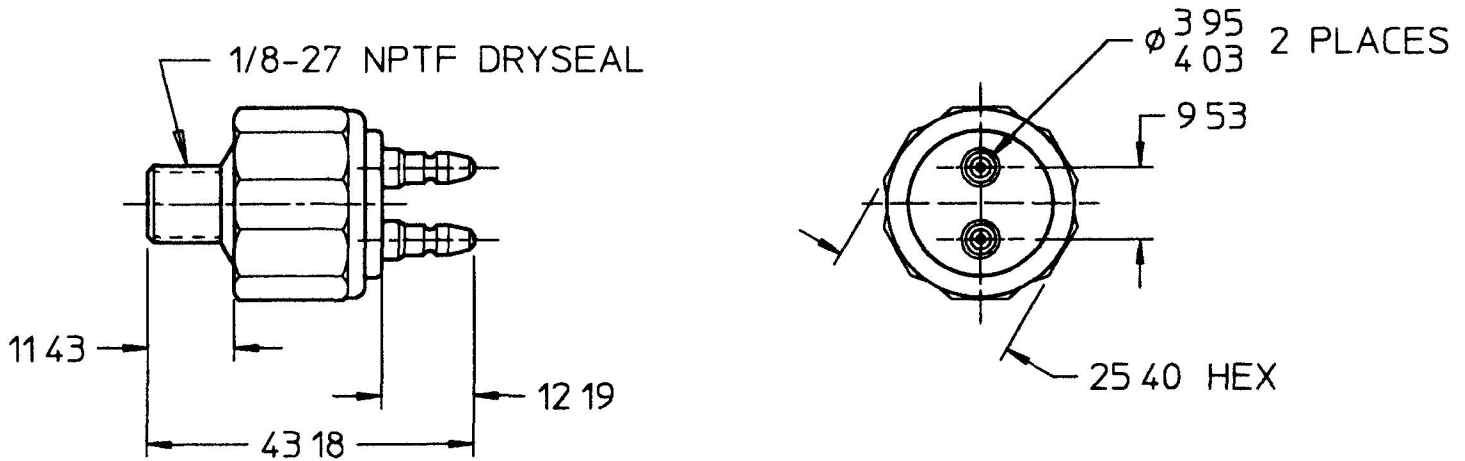


8629

| MM | IN |
|---------|------|
| 3 95 0 | 156 |
| 4 03 0 | 159 |
| 9 53 0 | 375 |
| 11 43 0 | 450 |
| 12 19 0 | 480 |
| 25 40 1 | 1000 |
| 43 18 1 | 1700 |
| Kpa | PSI |
| 413 40 | 60 |
| 826 80 | 120 |



NOTES

- 1 SWITCH TO OPERATE AT 60 TO 120 PSI PRESSURE
- 2 ALL STEEL PARTS PLATED
- 3 ALL DIMENSIONS ARE REFERENCE ONLY

METRIC

DO NOT SCALE

| LET | WAS | DATE | BY | LET | WAS | DATE | BY | MATERIAL | DRAWN | CHK | APVD | SCALE | DATE DRAWN |
|-----|-----|------|----|-----|---------------------------|---------|-----|--|---|------------|------|-------|------------------|
| | | | | | | | | | RZ | <i>DP3</i> | | 11 | 7/10/52 |
| | | | | | | | | FINISH | Cole Hersee Co. 20 OLD COLONY AVENUE, BOSTON, MA, U.S.A., 02127 | | | | DATE BLUEPRINTED |
| | | | | | | | | TOLERANCES DECIMAL ± 0.015 ANGLE ± | SW, STOP LIGHT | | | | 8629 |
| | | | | D | PUT ON CAD/ EQN #25295 | 1/18/93 | MJT | | | | | | |