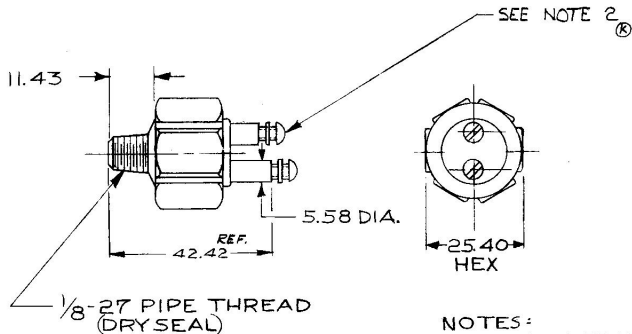


8626

| | |
|-------|-------|
| MM | IN |
| 0.25 | .010 |
| 5.58 | 0.220 |
| 11.17 | .440 |
| 11.43 | .450 |
| 25.4 | 1.000 |
| 42.4 | 1.670 |



- NOTES:
1. SWITCH OPERATES AT
413.64 / 827.28 KPA (60-120 P.S.I.)
 2. HARDWARE ASSEMBLED $\text{\textcircled{2}}$

METRIC

Confidential Property of Cole Hersee

DO NOT SCALE

| LET. | WAS | DATE | BY | LET. | WAS | DATE | BY | MATERIAL | DRAWN | CHECKED | APP'VD. | SCALE | DATE DRAWN |
|------|-----|------|----|------|-----------|----------|----|-------------------------------|---------------------|---------|---------|-------|----------------|
| | | | | | | | | — | RG | | | 1:1 | 10-6-42 |
| | | | | K | ECN 23688 | 3-3-88 | JK | FINISH | | | | | DATE BLUEPRINT |
| | | | | J | REV 27745 | 7/28/82 | JK | — | | | | | |
| | | | | H | REV/21200 | 10-30-80 | JK | TOLERANCES | STOP LAMP SW | | | | 8626 |
| | | | | G | REDRAWN | 5/19/80 | JK | DECIMAL \pm METRIC \pm | | | | | |