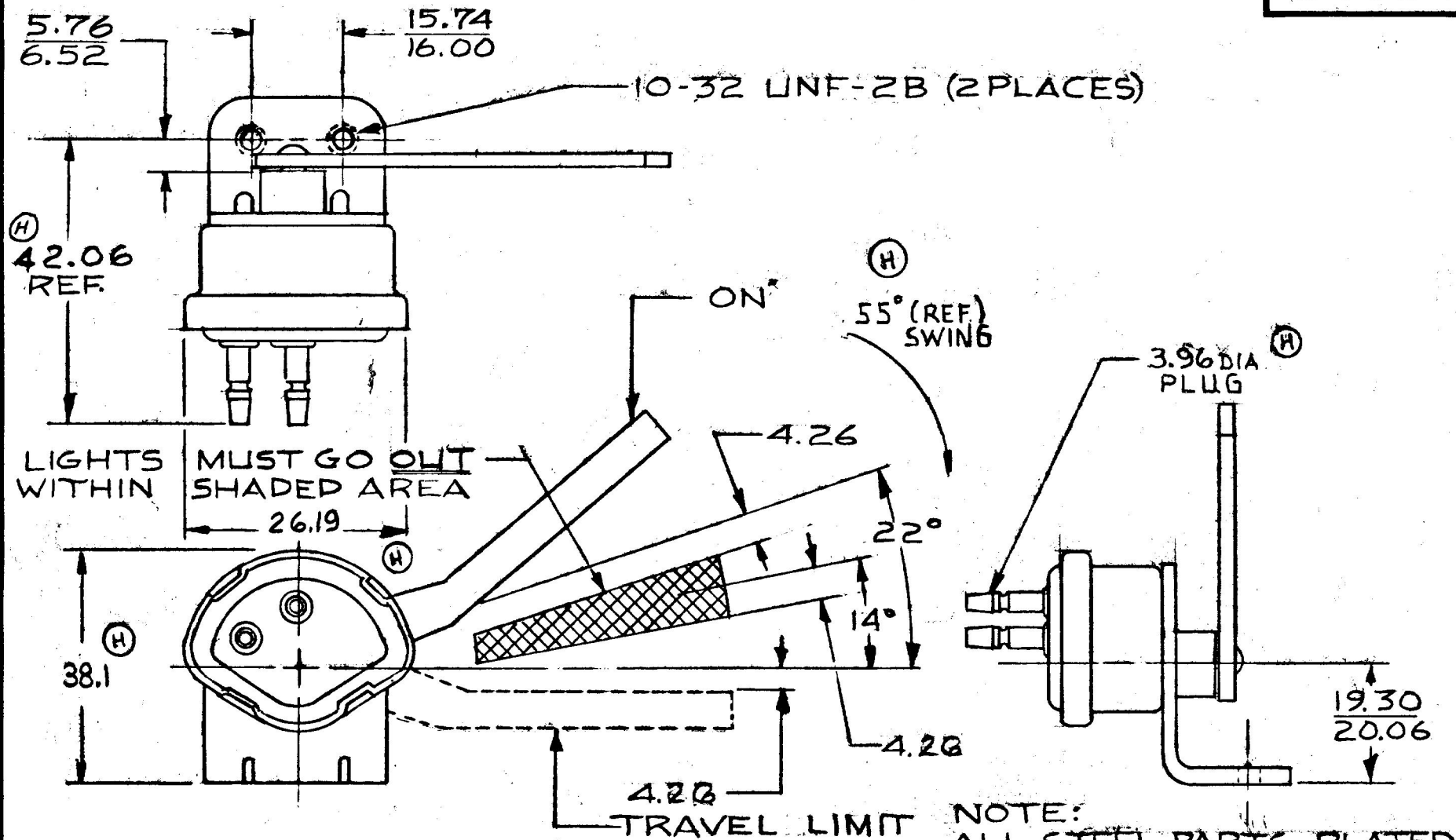


8486

MM IN
 4.26 .168
 5.76 .227
 6.52 .257
 15.74 .620
 16.00 .630
 19.30 .760
 20.06 .790
 44.09 1.736
 38.1 1.500
 26.19 1.069
 3.96 .156



RATED CONTACT CURRENT 4.2-4.6 AMPS
 MAX. OPERATING FORCE 3LBS

NOTE: ALL STEEL PARTS PLATED

METRIC

DO NOT SCALE

WELLS MFG CO. 51700018

LET.	WAS	DATE	BY	LET	WAS	DATE	BY	MATERIAL	DRAWN	CHECKED	APPR'D.	SCALE	DATE DRAWN
								#	FHG	RJA		1:1	10-26-54
								FINISH NOTED	 30 OLD COLONY AVENUE SOUTH BOSTON, MA. U.S.A. 02127				DATE BLUEPRINT
								TOLERANCES					MECH. STOP LIGHT SWITCH
				H	ECN 23516	5/15/87	RF	DECIMAL ± .010					
				G	REDRAWN REV 21303	1-30-81	LP	METRIC ± .25					

CH-188(4-78)