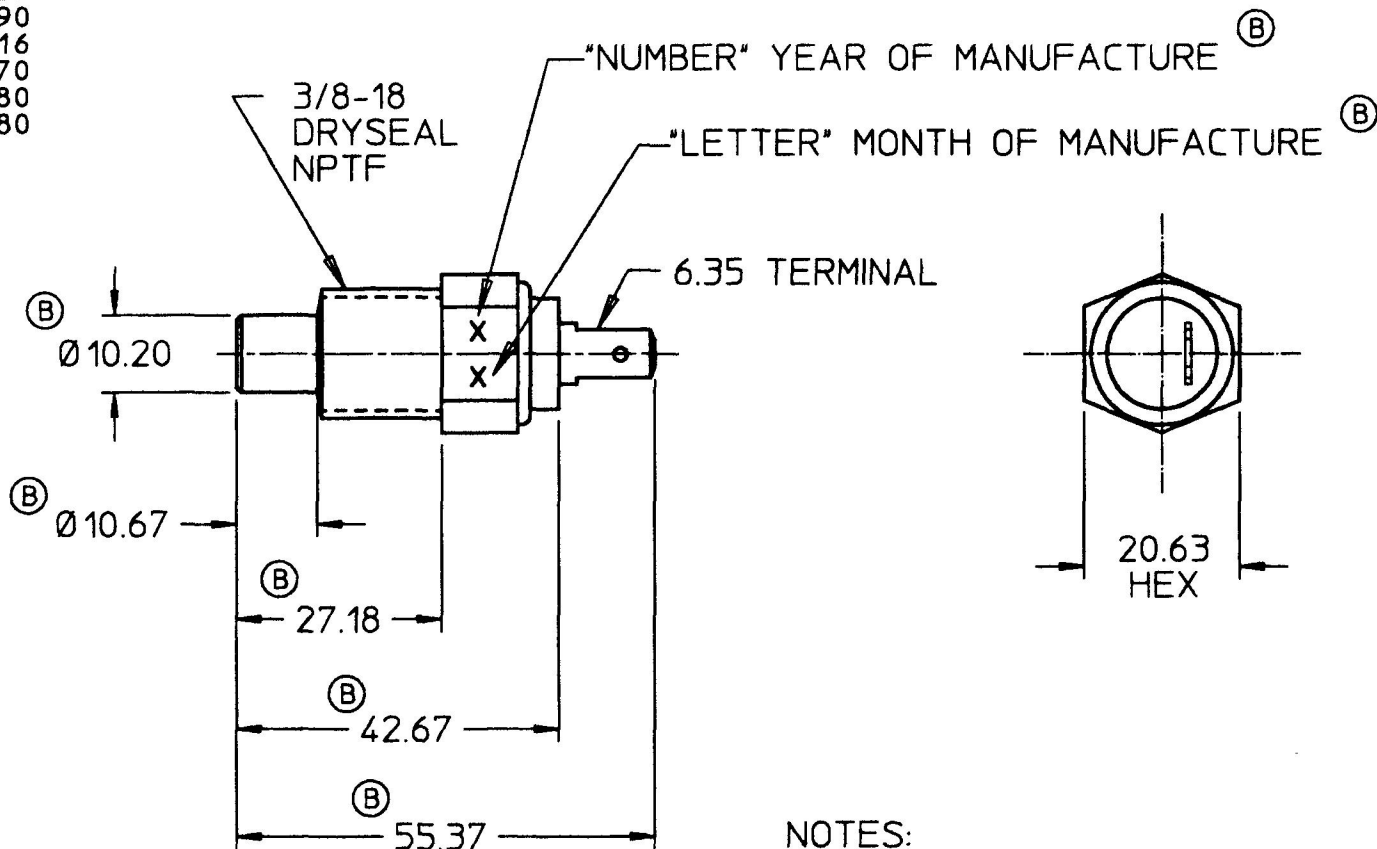


84251

MM	IN
6.35	0.250
10.03	0.395
10.20	0.401
10.67	0.420
12.44	0.490
20.63	0.816
27.18	1.070
42.67	1.680
55.37	2.180



NOTES:

1. SWITCH MAKES CONTACT @ 200°F ± 10°F
2. ALL DIMENSIONS ARE REFERENCE
3. INSULATOR MATERIAL: NYLON
4. NUMBER 3750 METAL STAMPED ON ANY HEX FLAT

METRIC

DO NOT SCALE

LET.	WAS	DATE	BY	LET.	WAS	DATE	BY	MATERIAL	DRAWN	CHK	APVD	SCALE	DATE DRAWN
									JRF	<i>[Signature]</i>		1:1	03/06/92
								FINISH	Cole Hersee Co. 20 OLD COLONY AVENUE, BOSTON, MA., U.S.A., 02127				DATE BLUEPRINTED
				C	99212	06/28/99	WL	TOLERANCES DECIMAL ± ANGLE ±	TEMP SWITCH				84251
				B	PUT ON CAD PER ECN #99149	04/15/99	GA						
					ISSUED	03/06/92	AF						