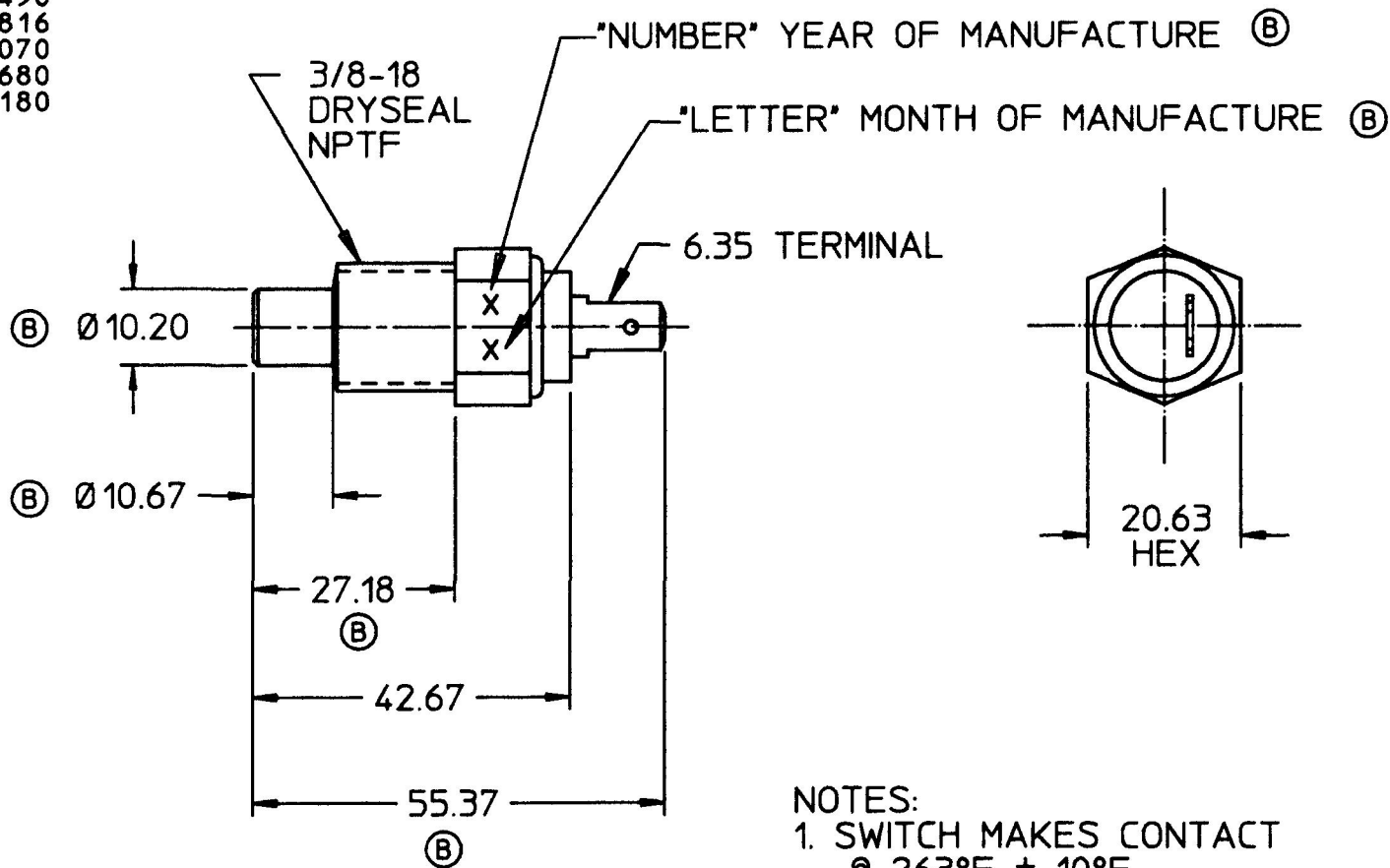


84248

MM	IN
6.35	0.250
10.03	0.395
10.20	0.401
10.67	0.420
12.44	0.490
20.63	0.816
27.18	1.070
42.67	1.680
55.37	2.180



NOTES:

1. SWITCH MAKES CONTACT @ 263°F ± 10°F
2. ALL DIMENSIONS ARE REFERENCE
3. INSULATOR MATERIAL: NYLON
4. NUMBER 3740 METAL STAMPED ON ANY HEX FLAT

METRIC

DO NOT SCALE

LET.	WAS	DATE	BY	LET.	WAS	DATE	BY	MATERIAL	DRAWN	CHK	APVD	SCALE	DATE DRAWN
									JK	<i>[Signature]</i>		1:1	03/20/89
								FINISH	<b>Cole Hersee Co.</b> 20 OLD COLONY AVENUE, BOSTON, MA, U.S.A. 02127				DATE BLUEPRINTED
				B	PUT ON CAD ECN # 99213	06/29/99	WL	TOLERANCES DECIMAL ± ANGLE ±	TEMP SWITCH				84248
				--	ISSUED	03/30/89	AF						