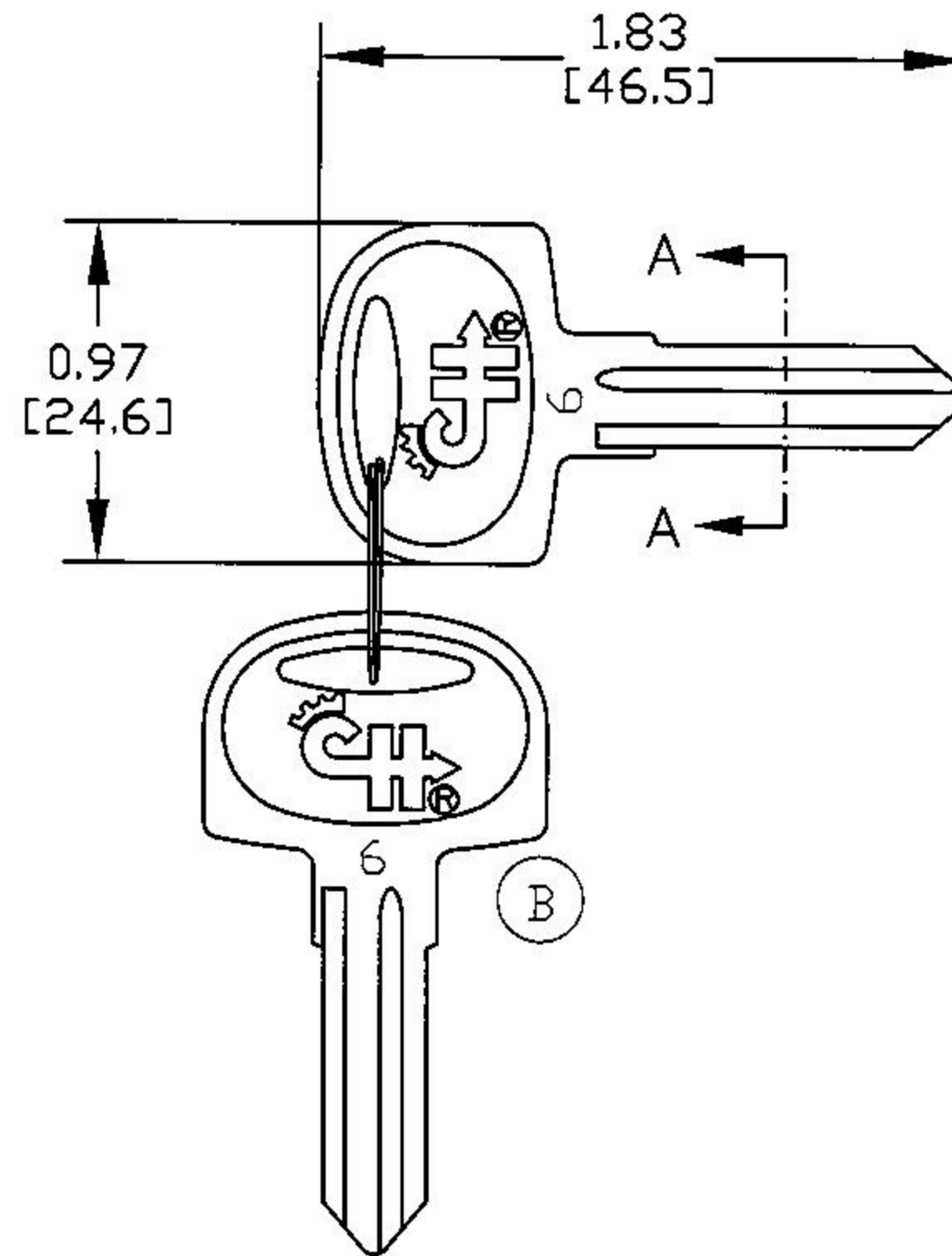


**Revision Control Record**

Rev.	Description of Change	ECN No.	Date
A	RELEASE DRAWING	09294	05/11/09
B	ADDED 6 TO KEY	10330	9/14/10



SECTION A-A  
SCALE: 4:1

- NOTES:
1. MATERIAL: 5/64 (0.078[0.076-0.080]) THICK BRASS
  2. FINISH: BRIGHT NICKEL PLATE
  3. 2 OF 83447-6 KEYS RINGED
  4. FOR KEY CODES 600-699
  5. DIMENSIONS FOR REFERENCE ONLY

**Tolerances** Unless otherwise specifically noted, the following are default tolerances;

- \* 2-place Decimal Dimensions +/- .02"
  - \* 3-place Decimal Dimensions +/- .005"
  - \* Angular Dimensions +/- 1.0 Deg.
  - \* Metric: Refer to equivalent English Dimension Tolerance
- >>> NOTE: All tolerances are Non-Cumulative. <<<

**Dimensional Units** All dimensions are expressed in inches except those shown in brackets (xxx) are expressed in millimeters

"REF." or an Asterisk (\*) = Non-Toleranced Reference Dimension, shown for clarification purposes only.

**PROPRIETARY INFORMATION** This Engineering Drawing, and the information contained herein, is proprietary to Cole Hersee Company and may not be disclosed, re-produced, or in any other way transferred or communicated to any other party without the express written consent of an authorized representative of Cole Hersee Company.

**DESIGN CONTROL** It is the responsibility of the individual using / referencing this drawing to assure that the noted design revision level agrees with the revision level of the Controlled Document (Master Drawing). This is a NON-CONTROLLED DOCUMENT unless otherwise specifically noted.

**DO NOT SCALE** - Dimensional variation may occur during printing / reproduction.

Special Characteristics:

- CC Critical Characteristic, relating to Safety and/or Regulatory Compliance
- X Significant Characteristic relating to Process Control (SPC)
- KC Key Characteristic relating to Form - Fit - Function as defined by Cole Hersee Company and/or the Customer

(Note that the identification of any Characteristics as being "Special" does not alter the requirement that ALL specified dimensions & tolerances must be met.)



**Cole Hersee Co.**

20 Old Colony Ave., South Boston, MA, 02127  
Phn: 617-268-2100 Web: www.colehersee.com

Description:

**KEYS, BLANK**

Drawing / Part No.:

**83451-6**

Current Rev.:

**B**

Used On or Ref.: **95060-SERIES** Scale: **1:1**

Drawn By: **JJC**

Date Drawn: **5/07/09**

Responsible Engineer: **JJC**

**Pg. 1 of 1**