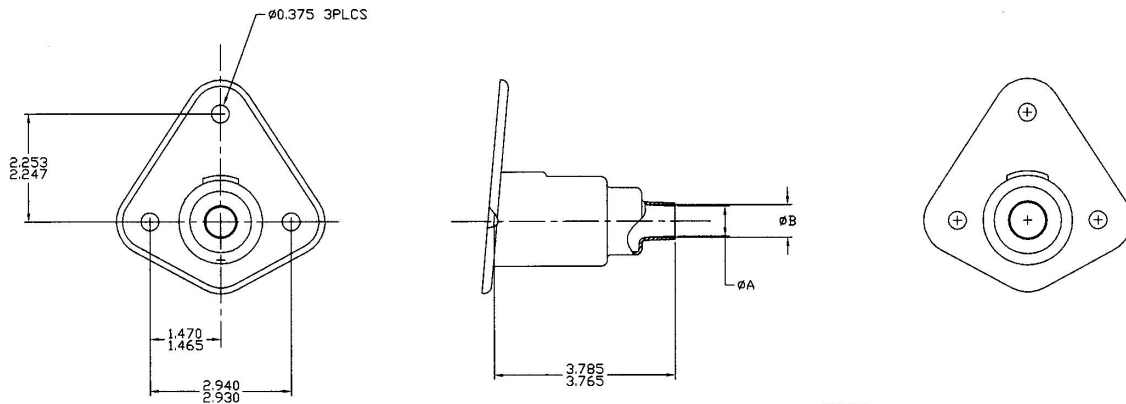


CUSTOMER DRAWING

Revision Control Record

Rev.	Description of Change	ECN No.	Date
A	NEW CUST. DWG	04018	01/14/04



NOTES:
1. MATERIAL: P.V.C. BLACK

81356	0.700	0.750	BLACK
PART NO.	A	B	COLOR

Tolerances: Unless otherwise specifically noted, the following are default tolerances:
 • 3-Digit Decimal Dimensions $\pm 0.25^\circ$
 • 2-Digit Decimal Dimensions $\pm 0.50^\circ$
 • Angular Dimensions $\pm 1.5 \text{ Deg.}$
 • Metric: Refer to equivalent English Dimension Tolerance
 • **NOTE:** All tolerances are Non-Cumulative, unless otherwise specifically noted.

Dimensional Units: All dimensions are expressed in inches, except those shown in brackets (xx) are expressed in millimeters.

DEC or an Equivalent, is Non-Tolerance Reference Dimension, shown for clarification purposes only.

Used On: 12300, 12310
or Ref.: EXB-4015J

Scale: 1:2

PROPRIETARY INFORMATION: This Engineering Drawing, and the information contained herein, is proprietary to Cole Hersee Company and may not be disclosed, reproduced, or in any other way transmitted or communicated to any other party without the express written consent of an authorized representative of Cole Hersee Company.

DESIGN CONTROL: It is the responsibility of the individual using/referencing this drawing to ensure that the noted design revision level agrees with the revision level of the Controlled Document (Master Drawing). This is a NON-CONTROLLED DOCUMENT unless otherwise specifically noted.

DO NOT SCALE: Dimensional variation may occur during printing/ reproduction.

Special Characteristics:
 Critical Characteristics, relating to Safety and/or Regulatory Compliance
 Significant Characteristics relating to Process Control (PC)

Key Characteristics relating to Form - Fit - Function as defined by Cole Hersee Company and/or the Customer

(Note that the identification of any Characteristics as being "Special" does not alter the requirement that all specified dimensions & tolerances must be met.)

Cole Hersee Co.
 20 Old Colony Ave., South Boston, MA, 02127
 Phone 617-286-2100 Web: www.colehersee.com

Description: **BOOT**

Drawing/Part No.: **81356**
 Drawing Rev.: **A**

Responsible Engineer: **SAM** Pg. 1 of 1

Drawn By: **DPS** Date Drawn: **08/23/94**