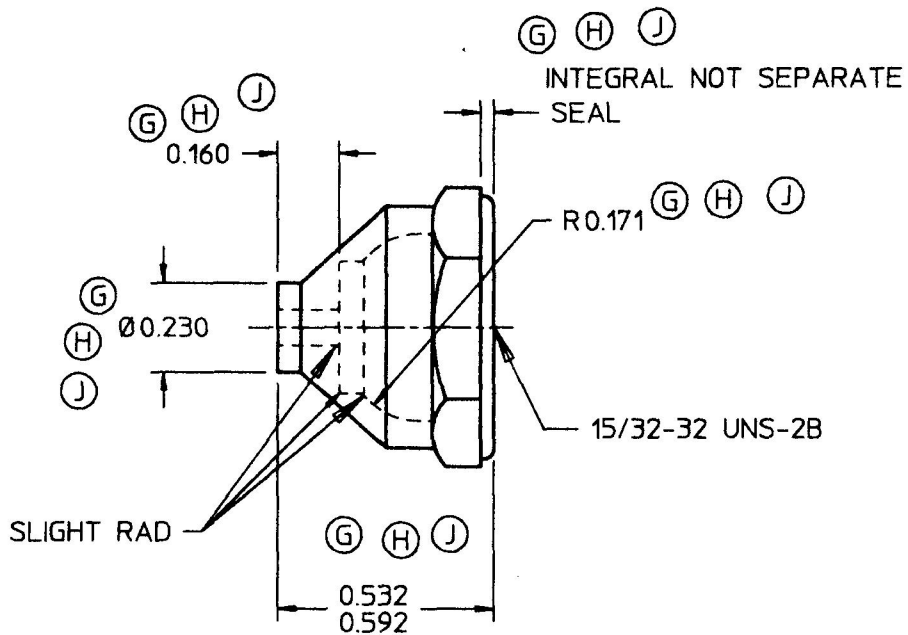
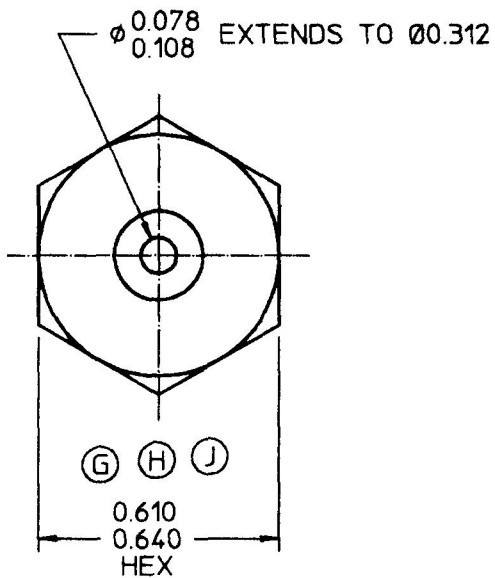
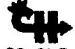


(G) (H) (J)



- NOTES:  
 (G) 1. MATERIAL NUT: BRASS, NICKEL PLATED  
 (H) SEALING MATERIAL: SILICONE RUBBER  
 (J) COLOR: DARK GRAY  
 50 DUROMETER

DO NOT SCALE

LET.	WAS	DATE	BY	LET.	WAS	DATE	BY	MATERIAL NOTED	DRAWN	CHK	APVD	SCALE	DATE DRAWN
									JH	JMP		2:1	5/5/70
								FINISH	 <b>Cole Hersee Co.</b> 20 OLD COLONY AVENUE, BOSTON, MA., U.S.A., 02127				DATE BLUEPRINTED
				G	REVISED ECN # 26430	1/23/97	DPS		<b>TOGGLE BOOT</b>				<b>81255</b>
				H	ECN # 26401	12/10/96	JMP	TOLERANCES DECIMAL $\pm$ 0.005 ANGLE $\pm$					
				G	PUT ON CAD ECN # 26018	10/30/95	MB						