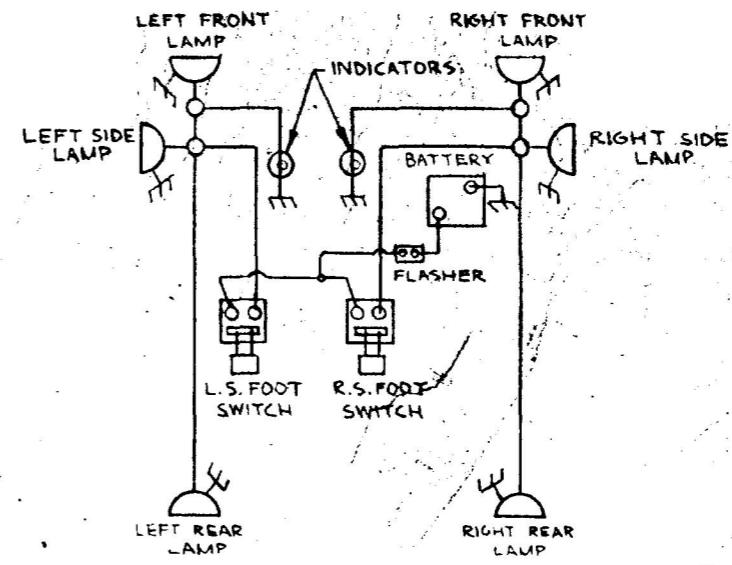
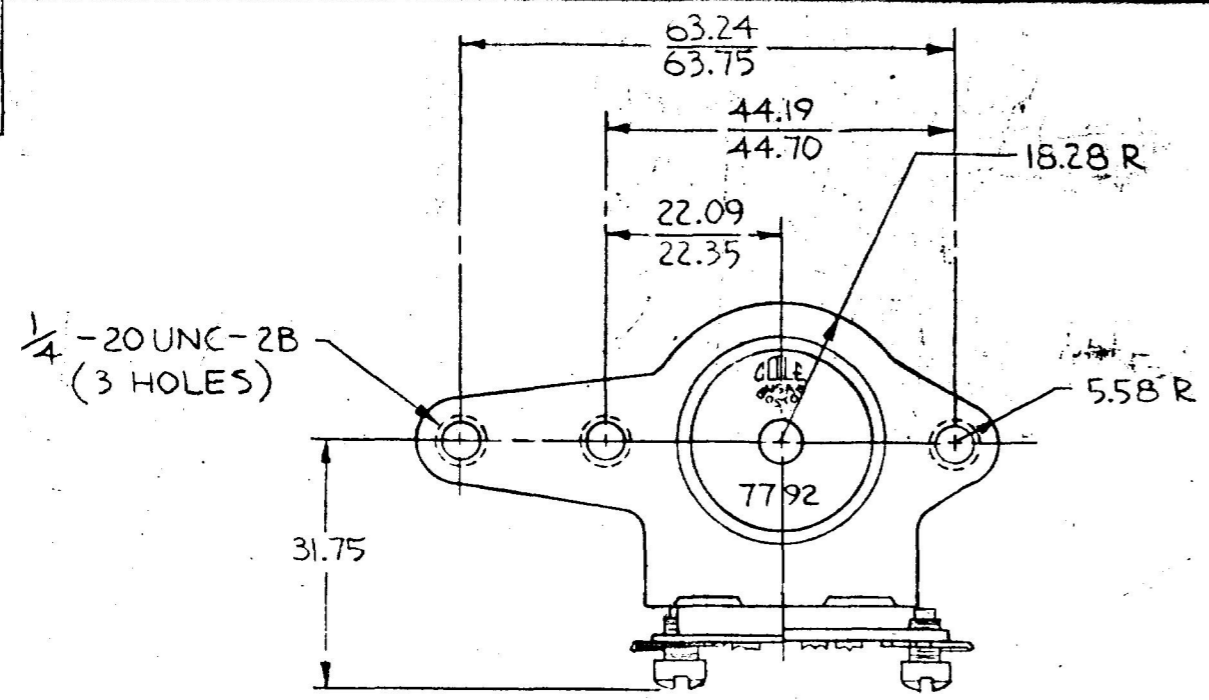


MM. IN.  
 0.50 .020  
 1.00 .040  
 1.50 .060  
 2.00 .080  
 2.50 .100  
 3.00 .120  
 3.50 .140  
 4.00 .160  
 4.50 .180  
 5.00 .200  
 5.50 .220  
 6.00 .240  
 6.50 .260  
 7.00 .280  
 7.50 .300  
 8.00 .315  
 8.50 .330  
 9.00 .345  
 9.50 .360  
 10.00 .375  
 10.50 .390  
 11.00 .405  
 11.50 .420  
 12.00 .435  
 12.50 .450  
 13.00 .465  
 13.50 .480  
 14.00 .495  
 14.50 .510  
 15.00 .525  
 15.50 .540  
 16.00 .555  
 16.50 .570  
 17.00 .585  
 17.50 .600  
 18.00 .615  
 18.50 .630  
 19.00 .645  
 19.50 .660  
 20.00 .675  
 20.50 .690  
 21.00 .705  
 21.50 .720  
 22.00 .735  
 22.50 .750  
 23.00 .765  
 23.50 .780  
 24.00 .795  
 24.50 .810  
 25.00 .825  
 25.50 .840  
 26.00 .855  
 26.50 .870  
 27.00 .885  
 27.50 .900  
 28.00 .915  
 28.50 .930  
 29.00 .945  
 29.50 .960  
 30.00 .975  
 30.50 .990  
 31.00 1.005  
 31.50 1.020  
 32.00 1.035  
 32.50 1.050  
 33.00 1.065  
 33.50 1.080  
 34.00 1.095  
 34.50 1.110  
 35.00 1.125  
 35.50 1.140  
 36.00 1.155  
 36.50 1.170  
 37.00 1.185  
 37.50 1.200  
 38.00 1.215  
 38.50 1.230  
 39.00 1.245  
 39.50 1.260  
 40.00 1.275  
 40.50 1.290  
 41.00 1.305  
 41.50 1.320  
 42.00 1.335  
 42.50 1.350  
 43.00 1.365  
 43.50 1.380  
 44.00 1.395  
 44.50 1.410  
 45.00 1.425  
 45.50 1.440  
 46.00 1.455  
 46.50 1.470  
 47.00 1.485  
 47.50 1.500  
 48.00 1.515  
 48.50 1.530  
 49.00 1.545  
 49.50 1.560  
 50.00 1.575  
 50.50 1.590  
 51.00 1.605  
 51.50 1.620  
 52.00 1.635  
 52.50 1.650  
 53.00 1.665  
 53.50 1.680  
 54.00 1.695  
 54.50 1.710  
 55.00 1.725  
 55.50 1.740  
 56.00 1.755  
 56.50 1.770  
 57.00 1.785  
 57.50 1.800  
 58.00 1.815  
 58.50 1.830  
 59.00 1.845  
 59.50 1.860  
 60.00 1.875  
 60.50 1.890  
 61.00 1.905  
 61.50 1.920  
 62.00 1.935  
 62.50 1.950  
 63.00 1.965  
 63.50 1.980  
 64.00 1.995  
 64.50 2.010  
 65.00 2.025  
 65.50 2.040  
 66.00 2.055  
 66.50 2.070  
 67.00 2.085  
 67.50 2.100  
 68.00 2.115  
 68.50 2.130  
 69.00 2.145  
 69.50 2.160  
 70.00 2.175  
 70.50 2.190  
 71.00 2.205  
 71.50 2.220  
 72.00 2.235  
 72.50 2.250  
 73.00 2.265  
 73.50 2.280  
 74.00 2.295  
 74.50 2.310  
 75.00 2.325  
 75.50 2.340  
 76.00 2.355  
 76.50 2.370  
 77.00 2.385  
 77.50 2.400  
 78.00 2.415  
 78.50 2.430  
 79.00 2.445  
 79.50 2.460  
 80.00 2.475  
 80.50 2.490  
 81.00 2.505  
 81.50 2.520  
 82.00 2.535  
 82.50 2.550  
 83.00 2.565  
 83.50 2.580  
 84.00 2.595  
 84.50 2.610  
 85.00 2.625  
 85.50 2.640  
 86.00 2.655  
 86.50 2.670  
 87.00 2.685  
 87.50 2.700  
 88.00 2.715  
 88.50 2.730  
 89.00 2.745  
 89.50 2.760  
 90.00 2.775  
 90.50 2.790  
 91.00 2.805  
 91.50 2.820  
 92.00 2.835  
 92.50 2.850  
 93.00 2.865  
 93.50 2.880  
 94.00 2.895  
 94.50 2.910  
 95.00 2.925  
 95.50 2.940  
 96.00 2.955  
 96.50 2.970  
 97.00 2.985  
 97.50 3.000  
 98.00 3.015  
 98.50 3.030  
 99.00 3.045  
 99.50 3.060  
 100.00 3.075

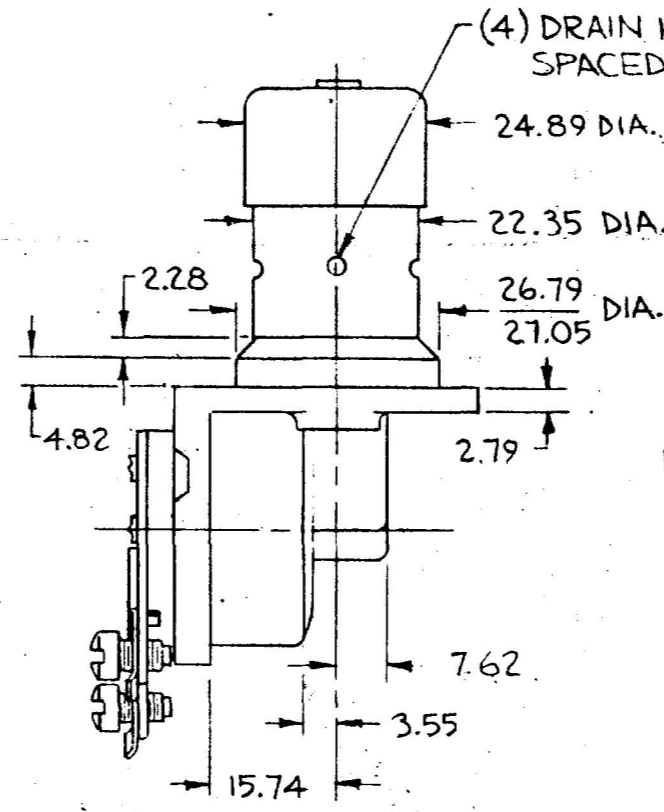
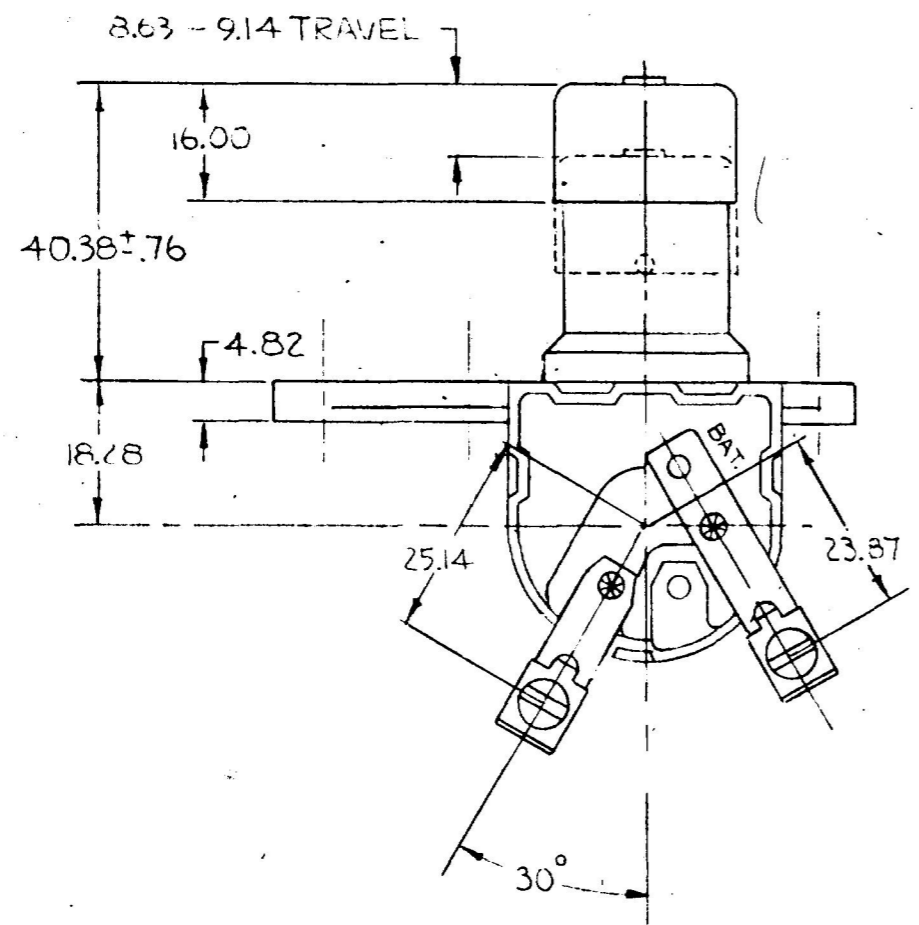
COLE-HERSEE CO  
 NPM

7792-01

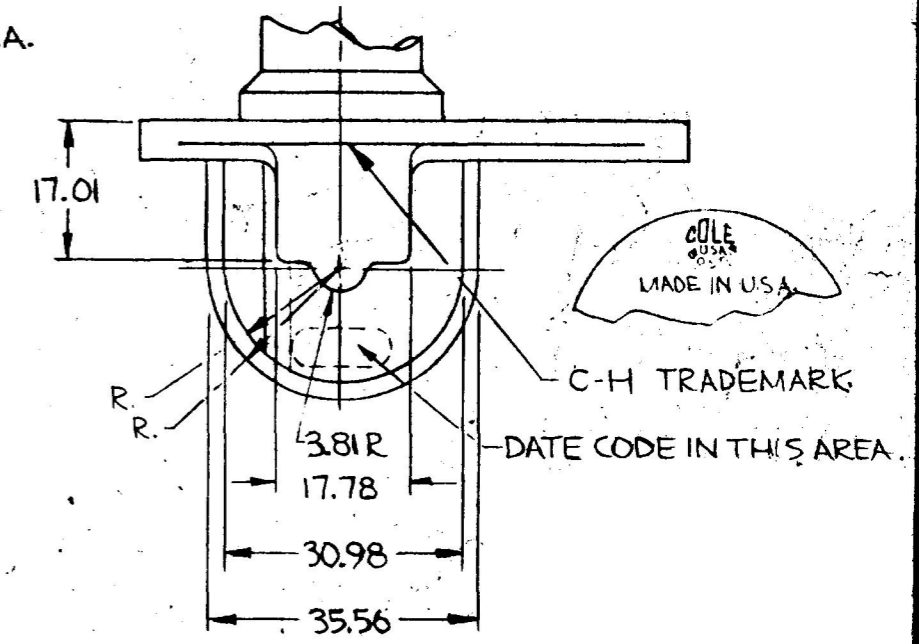


CASE, DIE CAST ZINC, DICHROMATE  
 TERMINALS, STEEL, ZINC PLT.  
 BUTTON, STEEL, ZINC PLT.  
 CONTACTOR, COPPER CADMIUM

WIRING DIAGRAM



(4) DRAIN HOLES EQUALLY  
 SPACED ABOVE SEAL.



DO NOT SCALE

LET	WAS	DATE	BY	LET	WAS	DATE	BY	MATERIAL	DRAWN	CHECKED	APPR'D	SCALE	BASIC LESS	DATE DRAWN
								H	VK	8/28/78		1:1	HENCOL SEAL #22	8-11-78
								H	COLE-HERSEE COMPANY BOSTON, MASS. 02127, U.S.A.					DATE BLUEPRINT
								TOLERANCES FRACTIONAL ± DECIMAL ±0.30						TURN SIGNAL SWITCH

METRIC

SPAU... 21-10961