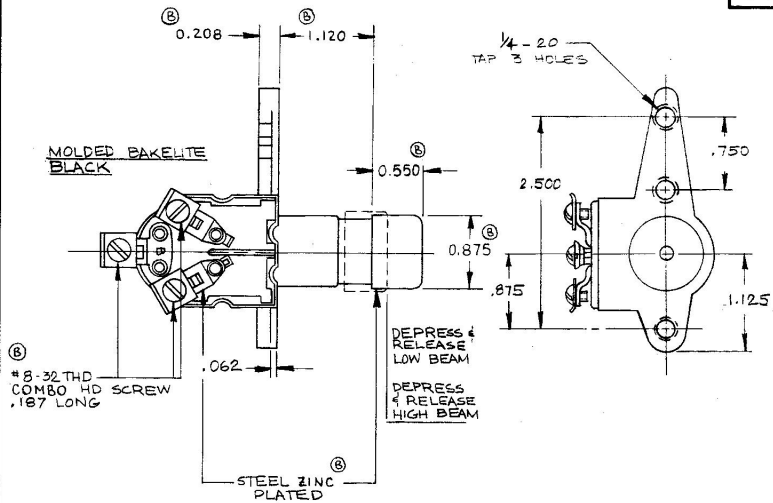



7769

10 AMPS  
PER  
CIRCUIT

Confidential Property of Cole Hersee

DO NOT SCALE

LET.	WAS	DATE	BY	LET.	WAS	DATE	BY	MATERIAL	DRAWN	CHECKED	APPROVD	SCALE	DATE DRAWN
								NOTED	TMB			1=1	1-14-55
								FINISH					DATE BLUEPRINT
				B	ECN02169	4/09/00	ML	TOLERANCES	 DIMMER SWITCH				7769
				A	REDRAWN	5/23/00	RO	DECIMAL ± .005 METRIC ± .002					