

7762

MM.	IN.
.50	.020
3.80	.149
6.40	.251
7.14	.281
7.54	.296
9.70	.381
14.00	.551
19.60	.771
20.60	.811
28.40	1.118
31.80	1.251
44.20	1.740
44.70	1.759
52.58	2.070
54.10	2.129
28.40	1.118

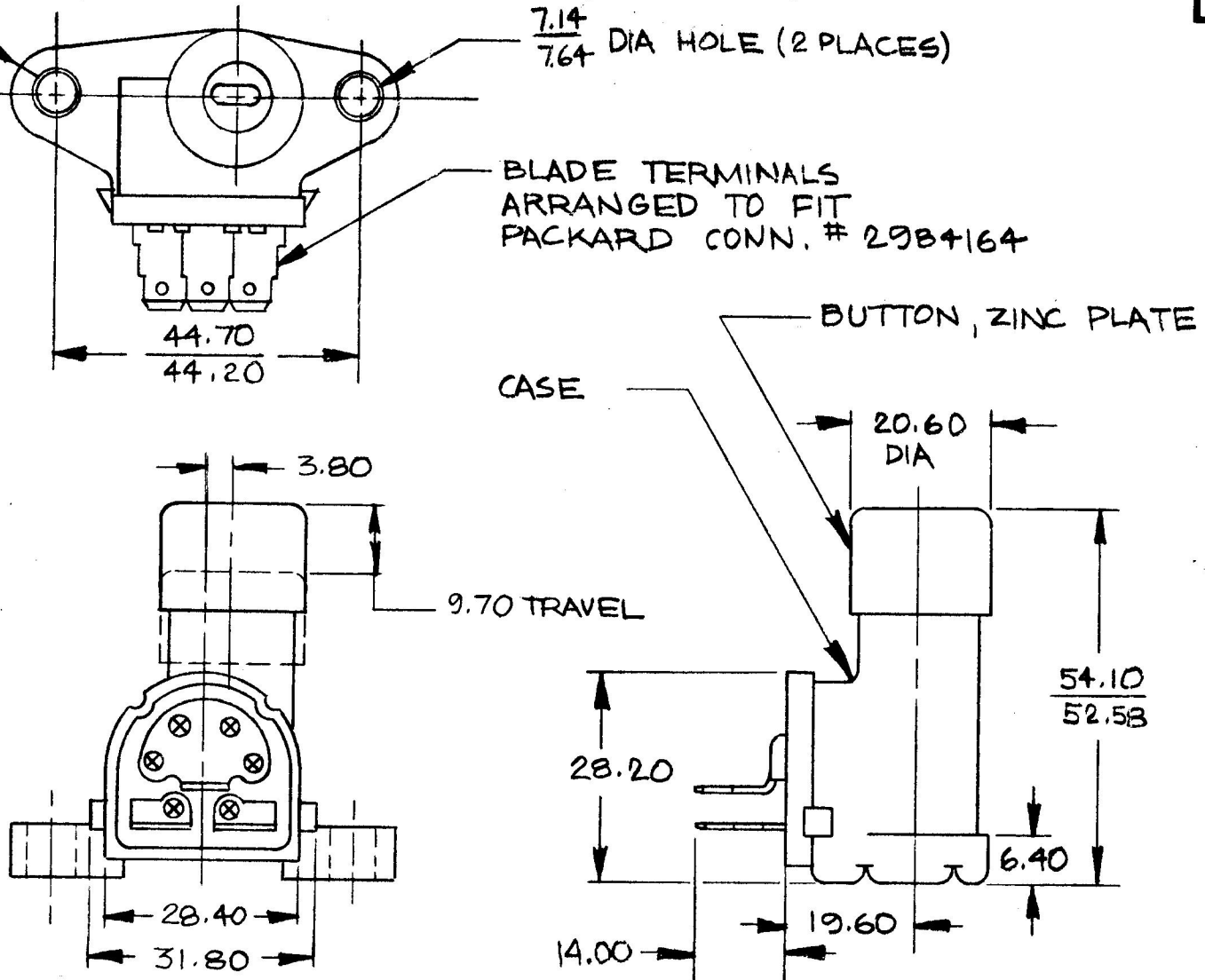
6.40 R  
TYP.

7.14  
7.64 DIA HOLE (2 PLACES)

BLADE TERMINALS  
ARRANGED TO FIT  
PACKARD CONN. # 2984164

BUTTON, ZINC PLATE

CASE



METRIC

DO NOT SCALE

LET.	WAS	DATE	BY	LET.	WAS	DATE	BY	MATERIAL	DRAWN	CHECKED	APPR'D	SCALE	DATE DRAWN
								<i>[Signature]</i>	DPS	AY		1=1	5-11-81
								FINISH	 Cole Hersee Co. <small>20 OLD COLONY AVENUE SOUTH BOSTON MA USA 02127</small>				DATE BLUEPRINT
								TOLERANCES					DIMMER SWITCH
				C	REDRAWN	8-289	RD	DECIMAL ±					
								METRIC ±					

CH-188(4-78)