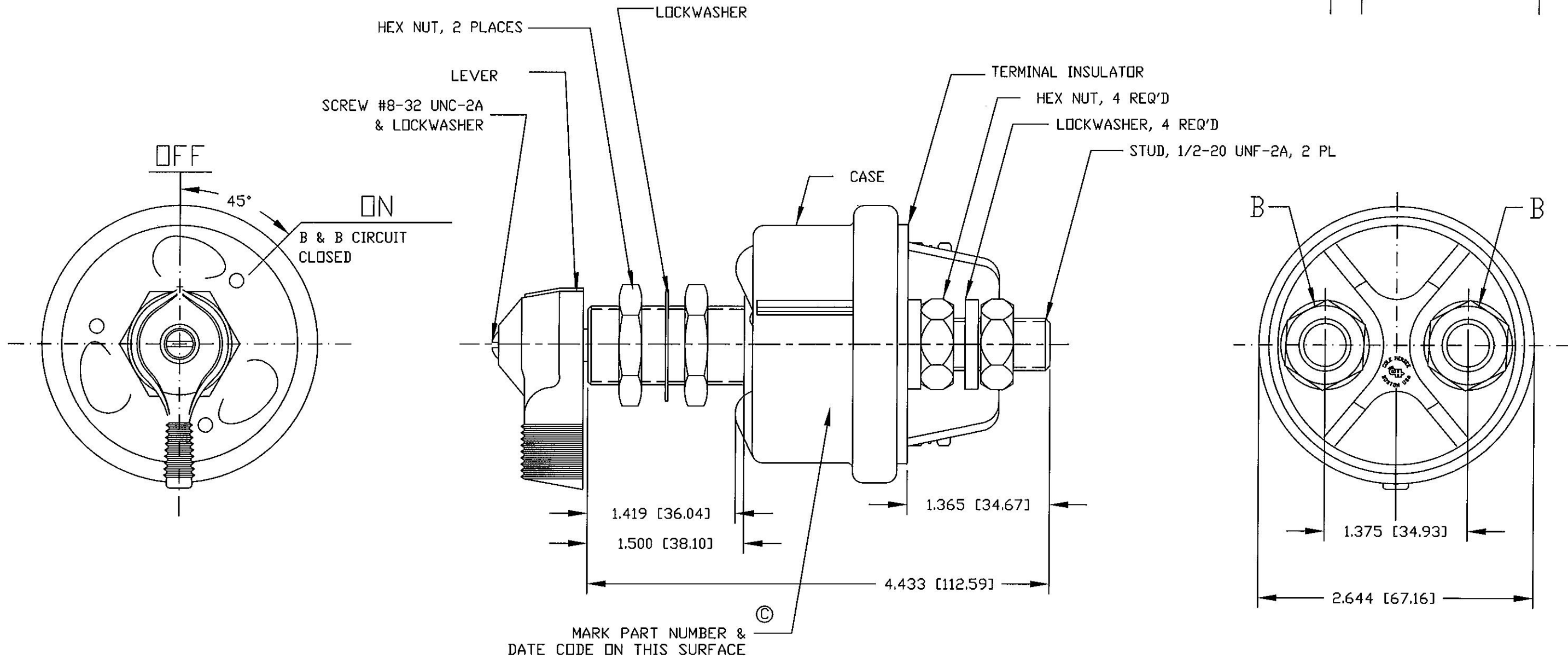


**Revision Control Record**

Rev.	Description of Change	ECN No.	Date
A	RELEASED	01702	12/5/01
B	BOM CHANGE	06273	08/16/06
C	MOVED DATE CODE TO SIDE OF CASE	10331	9/14/10



**NOTES:**

1. ALL STEEL PARTS PLATED
2. ALL DIMENSIONS REFERENCE ONLY
3. SEALS BETWEEN: SHAFT & MOUNTING STEM (O-RING); CASE & TERMINAL INSULATOR (EPOXY); TERMINAL INSULATOR & 1/2-20 STUDS (GASKETS)
4. RATING: 6, 12, 24, & 36 VOLTS DC "B" STUDS: INTERMITTENT DUTY: 2000 AMPS, 30 SECONDS "ON", 3 MINUTES "OFF" CONTINUOUS DUTY: 300 AMPS
5. ALL HARDWARE ASSEMBLED

<p><b>Tolerances</b> Unless otherwise specifically noted, the following are default tolerances:</p> <ul style="list-style-type: none"> <li>• 2-place Decimal Dimensions +/- .02"</li> <li>• 3-place Decimal Dimensions +/- .005"</li> <li>• Angular Dimensions +/- 1.0 Deg.</li> <li>• Metric: Refer to equivalent English Dimension Tolerance</li> </ul> <p>&gt;&gt;&gt; NOTE: All tolerances are Non-Cumulative. &lt;&lt;&lt;</p> <p><b>Dimensional Units</b> All dimensions are expressed in inches except those shown in brackets (xxx) are expressed in millimeters</p> <p>"REF." or an Asterisk (*) = Non-Toleranced Reference Dimension, shown for clarification purposes only.</p>	
Used On or Ref.: EX27801 75908 & M-286-04	Scale: <b>1:1</b>

<p><b>PROPRIETARY INFORMATION</b> This Engineering Drawing, and the information contained herein, is proprietary to Cole Hersee Company and may not be disclosed, re-produced, or in any other way transferred or communicated to any other party without the express written consent of an authorized representative of Cole Hersee Company.</p> <p><b>DESIGN CONTROL</b> It is the responsibility of the individual using/ referencing this drawing to assure that the noted design revision level agrees with the revision level of the Controlled Document (Master Drawing). This is a NON-CONTROLLED DOCUMENT unless otherwise specifically noted.</p> <p><b>DO NOT SCALE</b> - Dimensional variation may occur during printing/ reproduction.</p>	
Drawn By: G.AUGUSTE	Date Drawn: 05/11/01

<p><b>Key for Special Characteristics:</b></p> <ul style="list-style-type: none"> <li>Ⓢ Critical Characteristic, relating to Safety and/or Regulatory Compliance</li> <li>X Significant Characteristic relating to Process Control (SPC)</li> <li>Ⓢ Control Dimension relating to Form - Fit - Function as defined by Cole Hersee Company and/or the Customer</li> </ul> <p>(Note that the identification of any Characteristics as being "Special" does not alter the requirement that ALL specified dimensions &amp; tolerances must be met.)</p>	
Responsible Engineer: G.A	Pg. 1 of 1

<p><b>Cole Hersee Co.</b> 20 Old Colony Ave., South Boston, MA, 02127 Phn: 617-268-2100 Web: www.colehersee.com</p>	
<p>Description: <b>SWITCH, MASTER DISCONNECT</b></p>	
<p>Drawing / Part No.: <b>75908-02</b></p>	<p>Current Rev. <b>C</b></p>