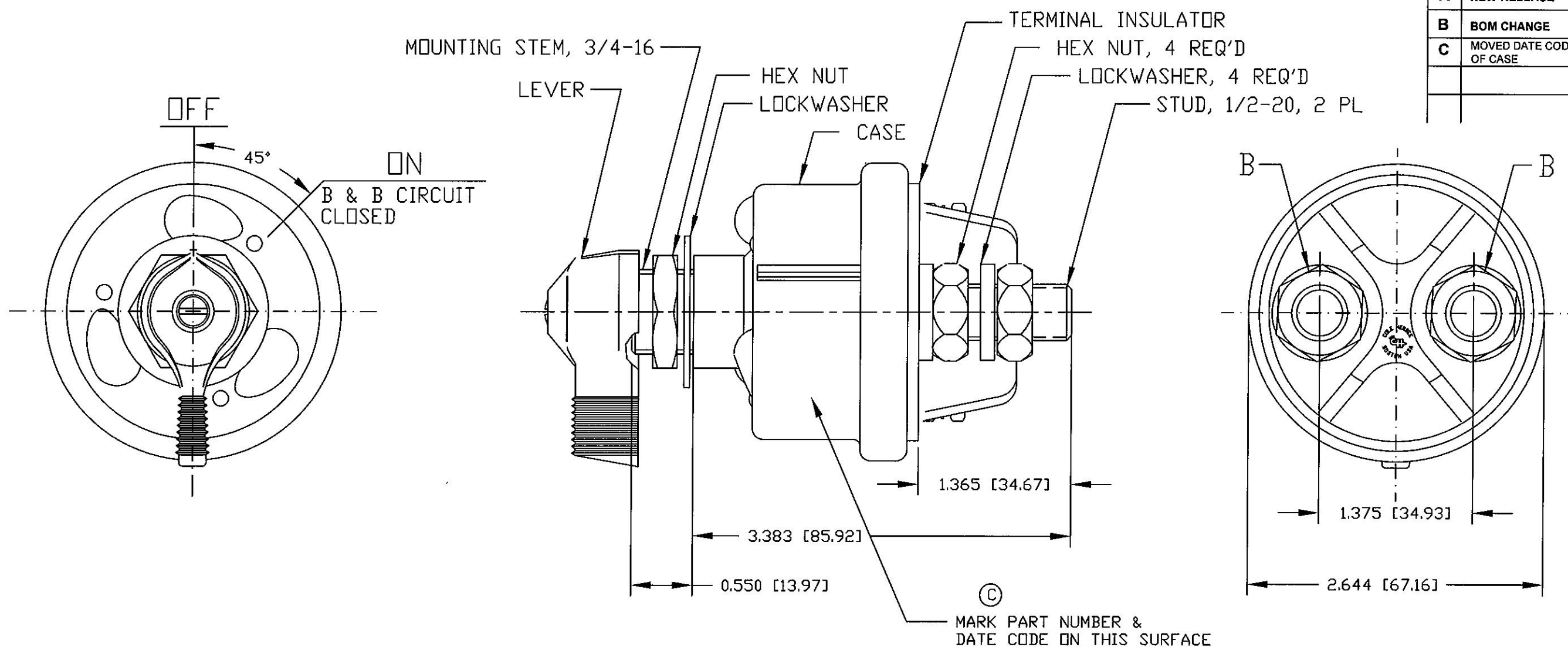


**Revision Control Record**

Rev.	Description of Change	ECN No.	Date
A	NEW RELEASE	06208	06/19/06
B	BOM CHANGE	06273	08/16/06
C	MOVED DATE CODE TO SIDE OF CASE	10331	9/14/10



**NOTES:**

1. ALL STEEL PARTS PLATED
2. ALL DIMENSIONS REFERENCE ONLY
3. SEALS BETWEEN SHAFT AND MOUNTING STEM, CASE AND TERMINAL INSULATOR, TERMINAL INSULATOR AND 1/2-20 STUDS
4. RATING: 6, 12, 24 AND 36 VOLTS DC "B" STUDS;  
INTERMITTENT DUTY: 2000 AMPS, 30 SECONDS "ON",  
3 MINUTES "OFF" CONTINUOUS DUTY: 300 AMPS
5. SIMILAR TO PN 75908 WITHOUT AN INDEX PIN

**Tolerances.** Unless otherwise specifically noted, the following are default tolerances:  
 • 2-place Decimal Dimensions +/- .02"  
 • 3-place Decimal Dimensions +/- .005"  
 • Angular Dimensions +/- 1.0 Deg.  
 • Metric: Refer to equivalent English Dimension Tolerance  
 >>> NOTE: All tolerances are Non-Cumulative. <<<

**Dimensional Units.** All dimensions are expressed in inches except those shown in brackets (xxx) are expressed in millimeters

**"REF." or an Asterisk (\*)** = Non-Toleranced Reference Dimension, shown for clarification purposes only.

**PROPRIETARY INFORMATION.** This Engineering Drawing, and the information contained herein, is proprietary to Cole Hersee Company and may not be disclosed, re-produced, or in any other way transferred or communicated to any other party without the express written consent of an authorized representative of Cole Hersee Company.

**DESIGN CONTROL.** It is the responsibility of the individual using / referencing this drawing to assure that the noted design revision level agrees with the revision level of the Controlled Document (Master Drawing). This is a NON-CONTROLLED DOCUMENT unless otherwise specifically noted.

**DO NOT SCALE** - Dimensional variation may occur during printing / reproduction.

**Key for Special Characteristics:**

- CC Critical Characteristic, relating to Safety and/or Regulatory Compliance
- X Significant Characteristic relating to Process Control (SPC)
- CD Control Dimension relating to Form - Fit - Function as defined by Cole Hersee Company and/or the Customer

(Note that the Identification of any Characteristics as being "Special" does not alter the requirement that ALL specified dimensions & tolerances must be met.)

**Cole Hersee Co.**  
 20 Old Colony Ave., South Boston, MA, 02127  
 Phn: 617-268-2100 Web: www.colehersee.com

**Description:** SWITCH, MASTER DISCONNECT

**Drawing / Part No.:** 75908-01

**Current Rev.:** C

Used On or Ref.: EX27599 Scale: 1:1 Drawn By: G.AUGUSTE Date Drawn: 05/07/01 Responsible Engineer: G.A Pg. 1 of 1