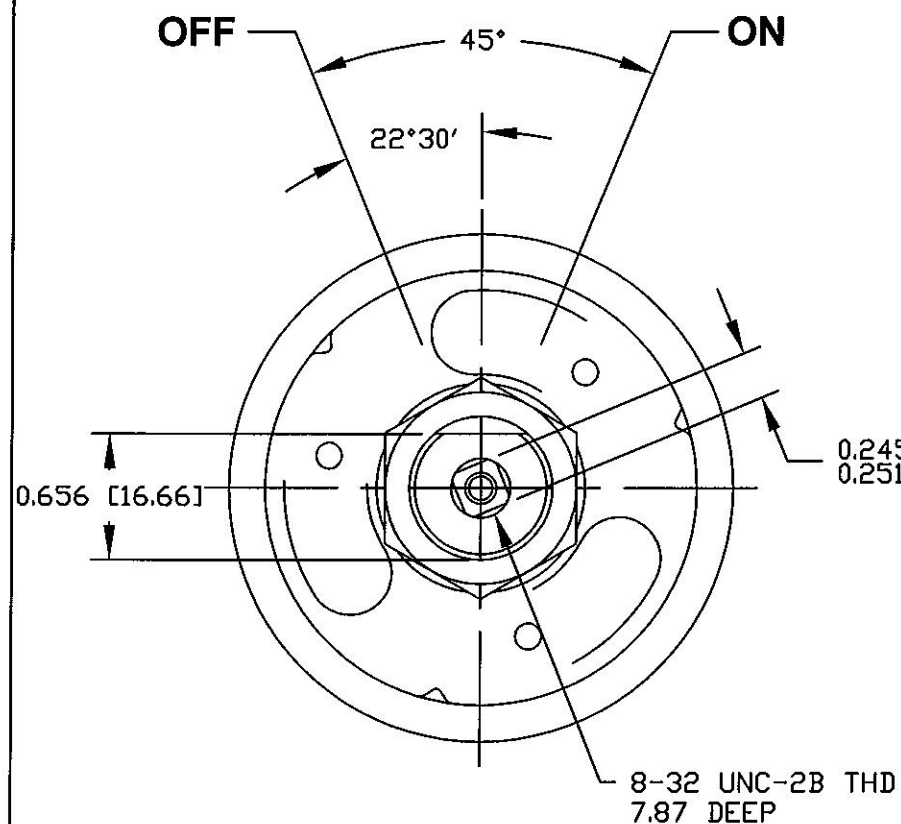


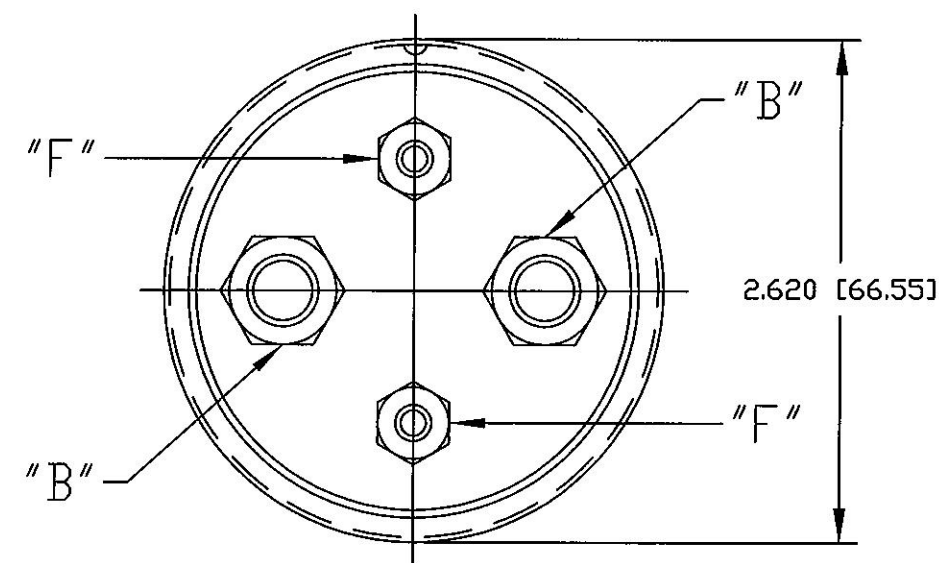
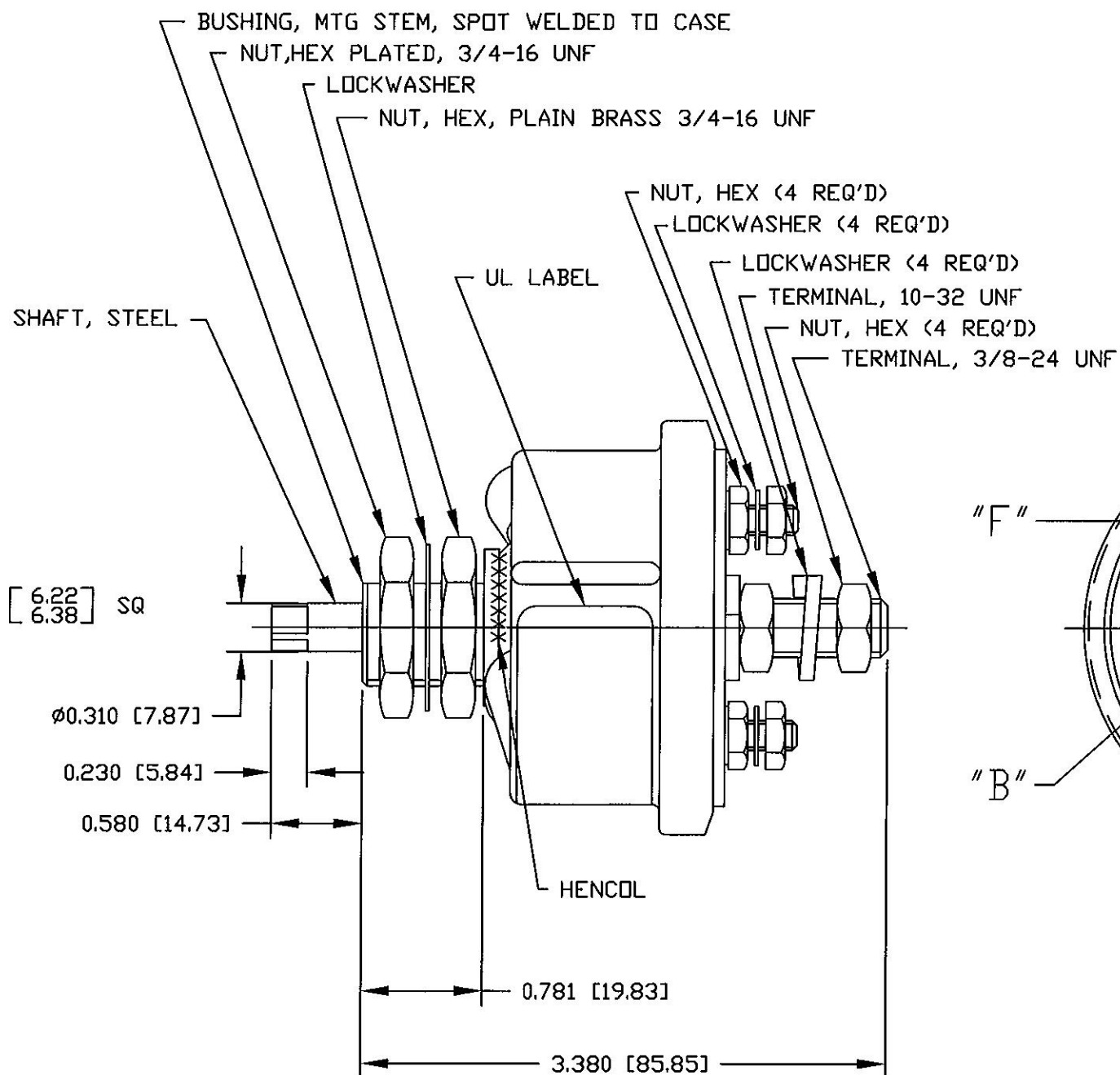
Revision Control Record

Rev.	Description of Change	ECN No.	Date
A	REVISED RATINGS	05199	05/10/05
B	BOM CHANGE	10167	4/30/10

"F & F" CIRCUIT MUST OPEN BEFORE "B & B" CIRCUIT



SWITCH SHOWN IN OFF POSITION



CONTINUOUS RATING:
 6-12-24-36 VOLTS DC.
 LARGE STUDS("B" TERMINALS): 175 AMPS (A)
 SMALL STUDS("F" TERMINALS): 20 AMPS

INTERMITTENT RATING:
 6-12-24-36 VOLTS DC.
 LARGE STUDS ("B" TERMINALS): 1000 AMPS (A)
 15 SEC. "ON", 5 MIN. "OFF"

- NOTES:**
1. ALL STEEL PARTS PLATED
 2. ALL DIMENSIONS REFERENCE
 3. SILVER CONTACT SURFACES
 4. O-RING SEAL AT BUSHING

Tolerances Unless otherwise specifically noted, the following are default tolerances:
 * 2-place Decimal Dimensions +/- .02"
 * 3-place Decimal Dimensions +/- .005"
 * Angular Dimensions +/- 1.0 Deg.
 * Metric: Refer to equivalent English Dimension Tolerance
 >>> NOTE: All tolerances are Non-Cumulative. <<<

Dimensional Units All dimensions are expressed in inches except those shown in brackets (xxx) are expressed in millimeters

"REF." or an Asterisk (*) = Non-Toleranced Reference Dimension, shown for clarification purposes only.

Used On or Ref.: **EX25669-A** Scale: **1:1**

PROPRIETARY INFORMATION This Engineering Drawing, and the information contained herein, is proprietary to Cole Hersee Company and may not be disclosed, re-produced, or in any other way transferred or communicated to any other party without the express written consent of an authorized representative of Cole Hersee Company.

DESIGN CONTROL It is the responsibility of the individual using / referencing this drawing to assure that the noted design revision level agrees with the revision level of the Controlled Document (Master Drawing). This is a NON-CONTROLLED DOCUMENT unless otherwise specifically noted.

DO NOT SCALE - Dimensional variation may occur during printing / reproduction.

Drawn By: **MJT** Date Drawn: **04/27/94**

Special Characteristics:

- Critical Characteristic, relating to Safety and/or Regulatory Compliance
- Significant Characteristic relating to Process Control (SPC)
- Control Dimension relating to Form - Fit - Function as defined by Cole Hersee Company and/or the Customer

(Note that the identification of any Characteristics as being "Special" does not alter the requirement that ALL specified dimensions & tolerances must be met.)

Responsible Engineer: **JC** Pg. 1 of 1

Cole Hersee Co.
 20 Old Colony Ave., South Boston, MA, 02127
 Phn: 617-268-2100 Web: www.colehersee.com

Description:
SW, MASTER DISCONNECT

Drawing / Part No.: **75904-08**

B