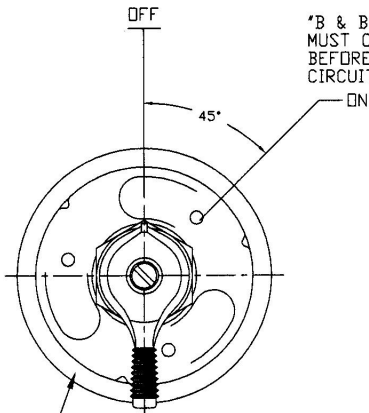
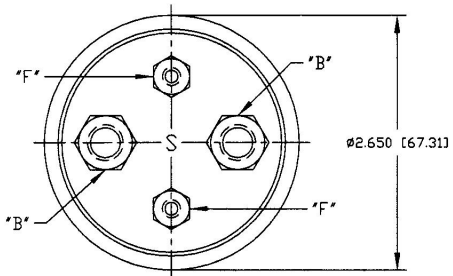
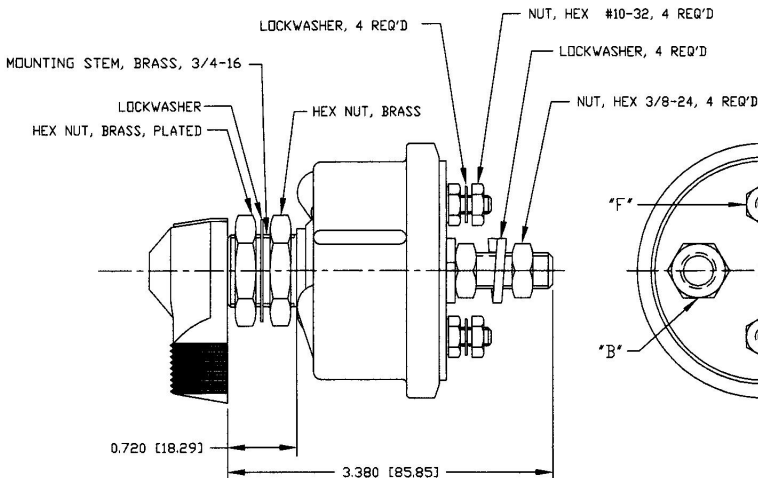


'F & F' CIRCUIT  
MUST OPEN  
BEFORE 'B & B'  
CIRCUIT

'B & B' CIRCUIT  
MUST CLOSE  
BEFORE 'F & F'  
CIRCUIT



STAMP P/N AND DATE CODE  
AT RANDOM LOCATIONS



NOTES:

1. ALL STEEL PARTS PLATED
2. ALL DIMENSIONS REFERENCE
3. FOR USE WITH ALTERNATOR OR GENERATOR SYSTEMS
4. RATINGS:  
CONTINUOUS RATING:  
6-12-24-36 VOLTS DC,  
LARGE STUDS ('B' TERMINALS): 175 AMPS  
SMALL STUDS ('F' TERMINALS): 20 AMPS  
INTERMITTENT RATING:  
6-12-24-36 VOLTS DC,  
LARGE STUDS ('B' TERMINALS): 1000 AMPS  
15 SEC 'ON', 5 MIN 'OFF'

Revision Control Record

Rev.	Description of Change	ECH No.	Date
R	PUT ON CAD	08302	8/29/08

Tolerances: Unless otherwise specifically noted, the following are default tolerances:

- \* Spline Outside Dimension:  $\pm .015$
- \* Spline Outside Dimension:  $\pm .005$
- \* Angular Dimension:  $\pm 0.5$  Deg.

\* Metric: Refer to equivalent English Dimension Tolerance  
--- NOTE: All tolerances are Non-Collective, unless otherwise specifically noted.

Dimensional Units: All dimensions are expressed in inches except those shown in brackets (xxx) are expressed in millimeters.

\*MEX: as an Attribute of a Non-Tolerance Reference Dimension, shown for identification purposes only.

PROPRIETARY INFORMATION: This Engineering Drawing, and the information contained herein, is proprietary to Cole Hersee Company and may not be disclosed, reproduced, or in any other way transmitted or communicated to any other party without the express written consent of an authorized representative of Cole Hersee Company.

DESIGN CONTROL: It is the responsibility of the individual user/manufacturer (MFR) starting to ensure that the noted design remains legal, agree with the relevant level of the Controlled Document (Master Drawing). This is a NON-CONTROLLED DOCUMENT unless otherwise specifically noted.

DO NOT SCALE: Dimensional variation may occur during printing/reproduction.

Key to Symbol Characteristics:

- ⊕ Critical Characteristics, relating to Safety and/or Regulatory Compliance
- ⊗ Significant Characteristics relating to Process Control (MFG)
- ⊙ Central Dimension relating to Form - Fit - Function as defined by Cole Hersee Company and/or the Customer

Note that the identification of any characteristics as being "Revised" does not alter the requirement that ALL specified dimensions & tolerances must be met.

Used On -  
or Ref: Scale: 1:1

Drawn By: JR

Date: 3/28/09  
Drawn:

Responsible Engineer: NA

Pg. 1 of 1

**Cole Hersee Co.**  
20 Old Colony Ave., South Boston, MA, 02127  
Phone: 617-288-3100 Web: www.colehersee.com

Description: SW, MASTER DISCONNECT

Drawing/  
Part No.: 75904

Current Rev.: R