

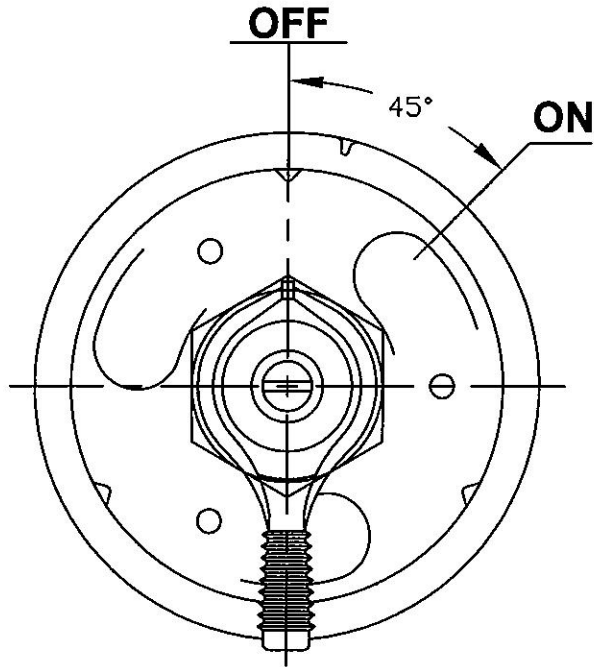
4

3

2

1

F & F CIRCUIT
MUST OPEN BEFORE
B & B CIRCUIT



B & B CIRCUIT
MUST CLOSE BEFORE
F & F CIRCUIT

SCREW, #8-32

0.720

2.550

3.380

LEVER, CHROME PLT
MOUNTING STEM, 3/4-16, BRASS

HEX NUT, BRASS,
2 PL, 1 PLATED

LOCKWASHER

CASE

LOCKWASHER (4 REQ'D)

HEX NUT, (4 REQ'D)

"F" TERM, #10-32

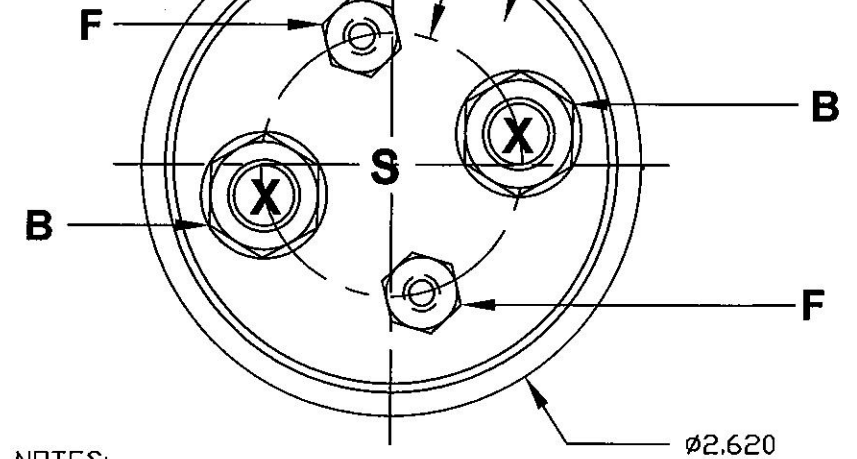
LOCKWASHER (4 REQ'D)

HEX NUT (4 REQ'D)

"B" TERM, 3/8-24, COPPER

Ø1.375

TERMINAL INSULATOR



NOTES:

1. COPPER CONTACTS
2. ALL STEEL PARTS PLATED
3. FOR USE WITH ALTERNATOR OR GENERATOR SYSTEM
4. CONTINUOUS RATING: 6-12-24-36 VOLTS D.C.
LARGE STUDS 175 AMPS
SMALL STUDS 20 AMPS
INTERMITTENT RATING: 6-12-24-36 VOLTS D.C.
LARGE STUDS 1000 AMPS, 15 SECONDS ON, 5 MINUTES OFF
5. TORQUE SPECIFICATIONS:
MOUNTING STEM HEX NUTS: 20 FT LBS [27 N.m] MAX
3/8" TOP HEX NUTS 70-90 IN LBS [8-10 N.m]
#10 HEX NUTS 10-14 IN LBS [1-1.6 N.m]
6. ALL DIMENSIONS REFERENCE ONLY

Revision Control Record

| Rev. | Description of Change | ECN No. | Date |
|------|------------------------------|---------|----------|
| P | REDRAWN & REVISED NOTES | 08680 | 11/25/08 |
| R | ADDED "X" & "S" TO BACK VIEW | 09571 | 12/8/09 |
| S | BOM CHANGE | 10163 | 4/30/10 |

Tolerances Unless otherwise specifically noted, the following are default tolerances:

2-places $\pm 0.02"$ 3-places $\pm 0.005"$ Angular $\pm 1'$

Metric: Shown in [] refers to equivalent English Dim Tol

"REF." or an Asterisk (*) = Non-Toleranced Reference Dimension, shown for clarification purposes only.

NOTE: All tolerances are Non-Cumulative.

PROPRIETARY INFORMATION
This Engineering Drawing, and the information contained herein, is proprietary to Cole Hersee Company and may not be disclosed, re-produced, or in any other way transferred or communicated to any other party without the express written consent of an authorized representative of Cole Hersee Company.

Special Characteristics:

- Critical Characteristic, relating to Safety and/or Regulatory Compliance
- Significant Characteristic relating to Process Control
- Control Dimension relating to Form-Fit - Function as defined by Cole Hersee Company and/or the Customer



Cole Hersee Co.

20 Old Colony Ave., South Boston, MA, 02127
Phn: 617-268-2100 Web: www.colehersee.com

Description: **SWITCH, MASTER DISCONNECT**

| | | | |
|---------------------|--------------|--------------|----------|
| Drawing / Part No.: | 75903 | Current Rev. | S |
|---------------------|--------------|--------------|----------|

FORM CHT-6 (2/07)

Used On or Ref.:

Scale: 1:1

Drawn BY: JR

Date Drawn: 3/28/69

Pg. 1 of 1

4

3

2

1