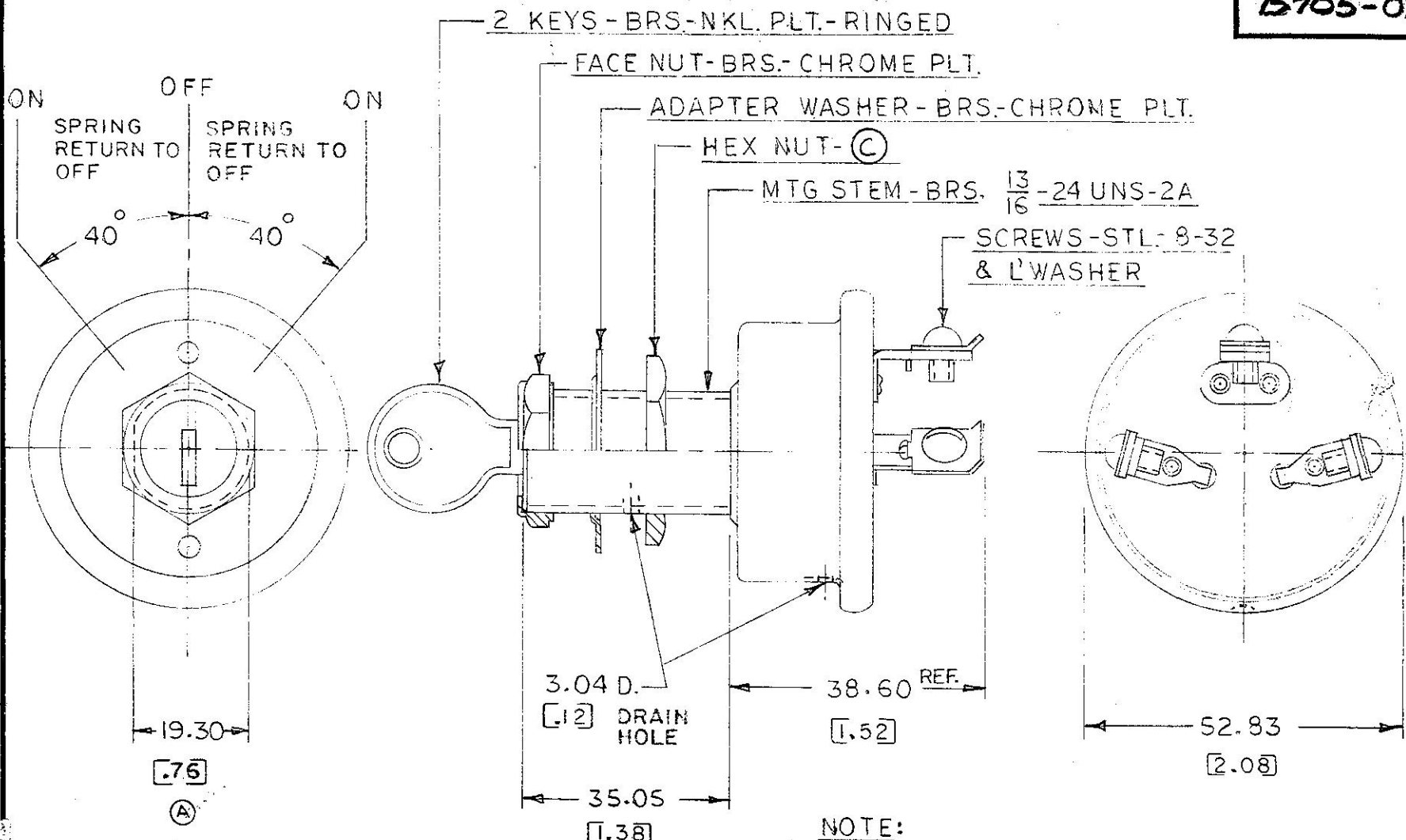


EX-17290

75705-01



- NOTE:
- (B) 1. ALL STL. PARTS PLATED
 - 2. DIMENSIONS: MILLIMETERS [INCH]
 - (A) 3. O-RING SEAL AT MTG. STEM

Confidential Property of Cole Hersee

DO NOT SCALE

LET	WAS	DATE	BY	LET	WAS	DATE	BY	MATERIAL	DRAWN	CHECKED	APPR'VD.	SCALE	DATE DRAWN
								#	EA	CS 7-29-75		1=1	5-23-75
								FINISH	COLE-HERSEE COMPANY BOSTON, MASS. 02127, U.S.A.				DATE RECEIVED
							#						
				C	ELN	06023	2-2-06		FORWARD & REVERSE SWITCH				75705-01
				B		25734	10/6/01	TOLERANCES					
								FRACTIONAL ±					
								DECIMAL ±0					