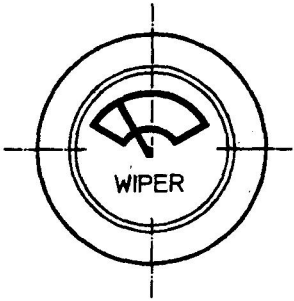
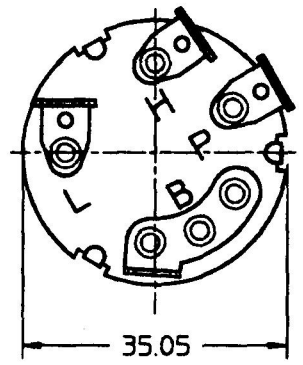
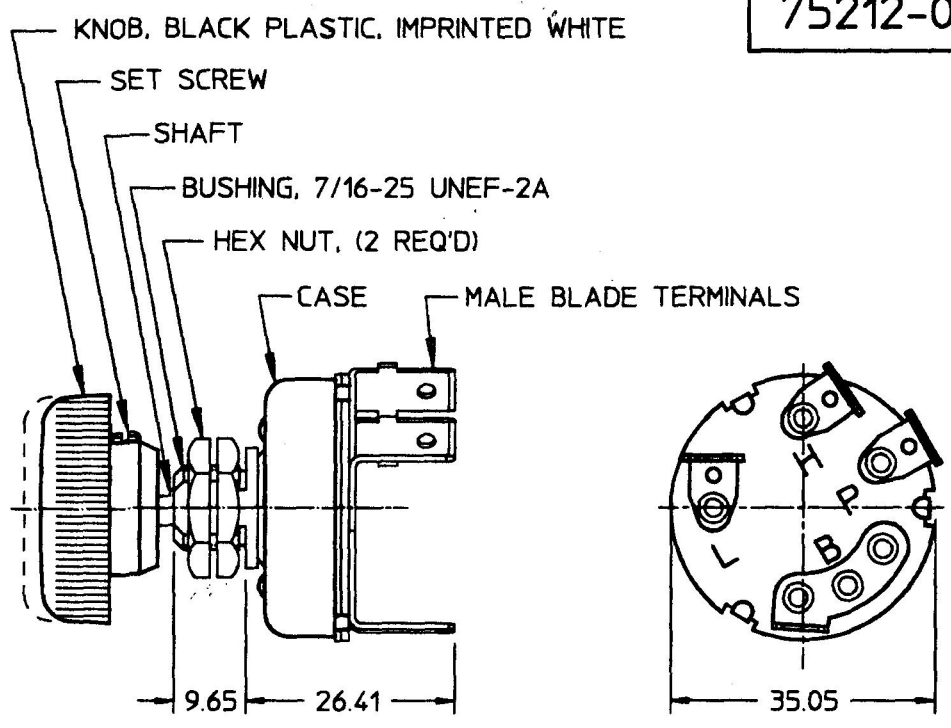
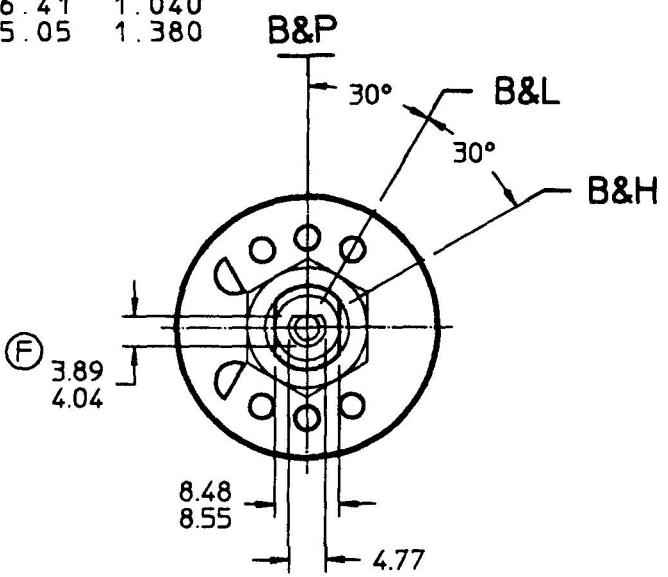


MM	IN
3.89	0.153
4.04	0.159
4.77	0.188
8.48	0.344
8.55	0.337
9.65	0.380
26.41	1.040
35.05	1.380



FRONT VIEW OF KNOB

P	PARK
L	LOW
H	HIGH
B	BATTERY
LEGEND	

- NOTES:
 1. COPPER ALLOY CONTACTS.
 2. NUMBER OF POLES-1
 NUMBER OF THROWS-2
 3. SEALING-NONE
 4. ALL STEEL PARTS PLATED
 5. RATING:

	RESISTIVE	INDUCTIVE
12V	10 AMPS	8 AMPS
24V	7 AMPS	5 AMPS

LIFE @ RATED CURRENT

MAKE & BRAKE
 12V - 100,000 MIN
 24V - 50,000 MIN

DO NOT SCALE

METRIC

LET.	WAS	DATE	BY	LET.	WAS	DATE	BY	MATERIAL	DRAWN	CHK	APVD	SCALE	75212-01 WITH 81298-29 KNOB	DATE DRAWN
									BW	AP		1:1		9/10/74
								FINISH	Cole Hersee Co. 20 OLD COLONY AVENUE, BOSTON, MA., U.S.A., 02127					DATE BLUEPRINTED
				F	ECN # 25936	8/16/95	MB	TOLERANCES DECIMAL ± 0.25 ANGLE ±						
				E	PUT ON CAD	10/4/94	MB		SW, WINDSHIELD WIPER					75212-04