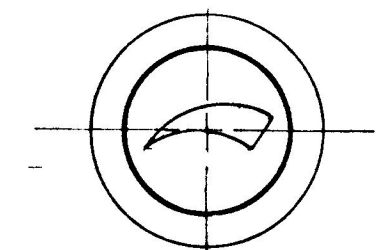


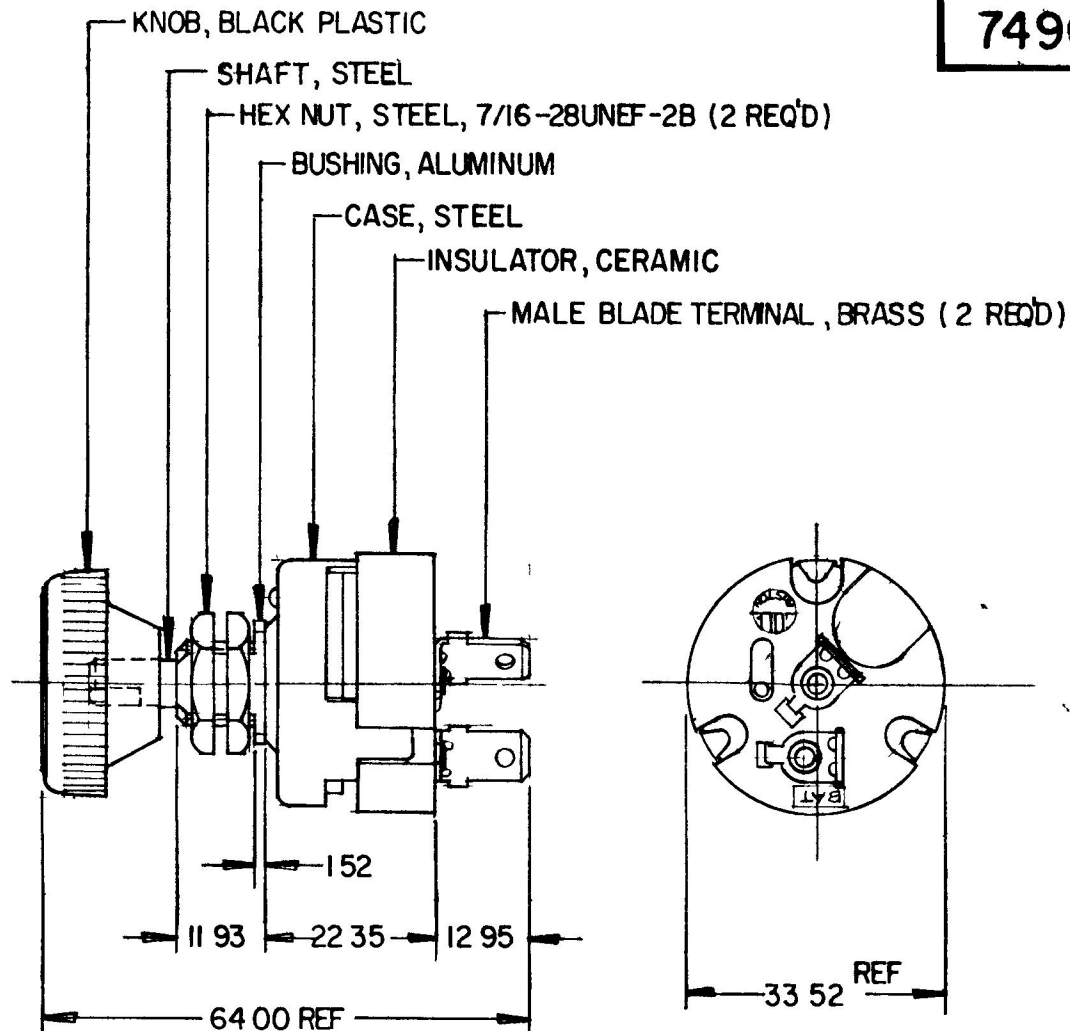
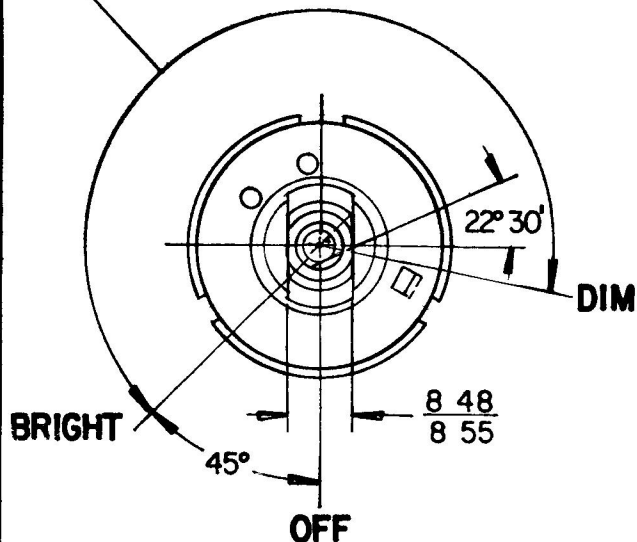
MM	IN
0.25	.010
1.52	.060
8.48	.334
8.55	.337
11.93	.470
12.95	.510
22.35	.880
33.52	1.320
64.00	2.520

7496-II



FRONT VIEW OF KNOB

MOVEMENT ON 18 OHMS RESISTANCE FOR DASHLAMP



NOTE

ALL STEEL PARTS EITHER ZINC PLATE WITH DICHROMATE DIP OR CADMIUM PLATE

METRIC

18 OHMS

DO NOT SCALE

LET	WAS	DATE	BY	LET	WAS	DATE	BY	MATERIAL	DRAWN	CHECKED	APPRV'D	SCALE	BASIC W/ 18 OHMS COIL & 81298-37 KNOB	DATE DRAWN
								— # —	JAV	8279		FULL		7-26-79
								FINISH	 RHEOSTAT SWITCH					DATE BLUEPRINT
							— # —							
								TOLERANCES	7496-II					
								DECIMAL ±						
								METRIC ±0.25						

ISSUED 8-2-79