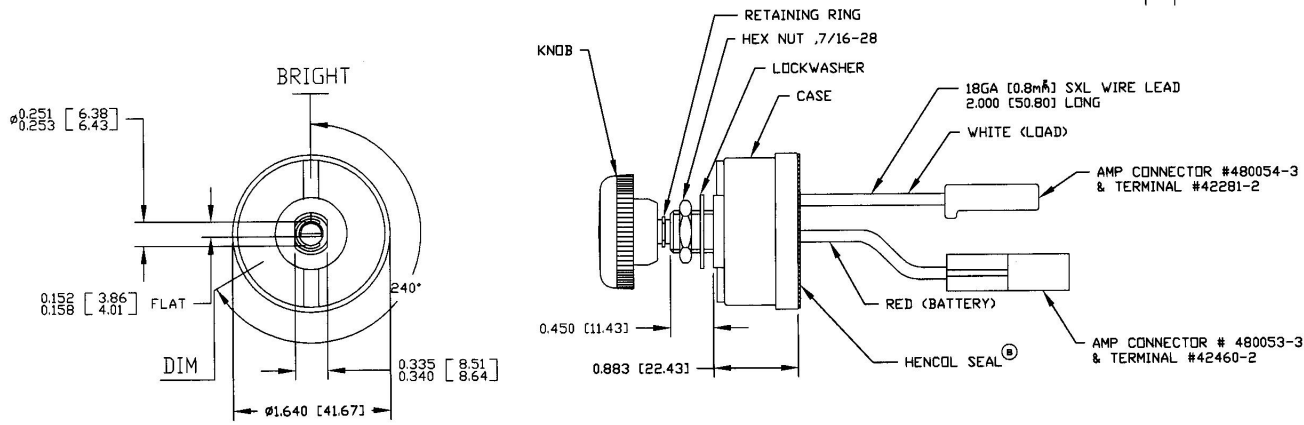
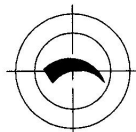


## Revision Control Record

Rev.	Description of Change	ECN No.	Date
B	CHANGE HENCOL NOTE	05136	03/16/05



KNOB AND MOUNTING HARDWARE  
NOT SHOWN FOR CLARITY



FRONT VIEW ON KNOB

## NOTES:

- 12-14.7 V.D.C. 6 AMPS MAX. (CLAMPS OR RESISTIVE LOAD)  
UNIT NOT LOAD SENSITIVE PROTECTED FOR REVERSE POLARITY.
- UNIT IS WEATHER PROOF SEALED
- ALL STEEL PARTS PLATED
- C-H PART NO. INK STAMPED AT RANDOM
- SHORT CIRCUIT PROTECTED
- ALL DIMENSION REFERENCE

**Tolerances:** Unless otherwise specifically noted, the following are default tolerances:  
 • Spline Decimal Dimensions -  $\pm .01^{\circ}$   
 • Spline Decimal Dimensions -  $\pm .004^{\circ}$   
 • Angular Dimensions -  $\pm 1.3^{\circ}$   
 • Metric: Refer to equivalent English Dimension Tolerance  
 • **NOTE:** All tolerances are Non-Cumulative, unless otherwise specified.

**Dimensional Limits:** All dimensions are expressed in inches except those shown in brackets (mm) are expressed in millimeters.

**"REF." or an Arrow:** "Non-Toleranced Reference Dimension, shown for identification purposes only."

Used On  
or Ref:

Scale: 1:1

**PROPRIETARY INFORMATION:** This Engineering Drawing, and the information contained hereon, is proprietary to Cole Hersee Company and may not be disclosed, reproduced, or in any other way transmitted or communicated to any other party without the written consent or authorization of an authorized representative of Cole Hersee Company.

**DESIGN CHANGES:** It is the responsibility of the individual using/retaining this drawing to ensure that the noted design revision level agrees with the revision level of the Controlled Document (Master Drawing). This is a NON-CONTROLLED DOCUMENT unless otherwise specifically noted.

**DO NOT SCALE:** Dimensional verification may occur during printing/reproduction.

Drawn By: LIZ  
Date: 01/18/89

## DESIGN CHARACTERISTICS:

- ⊕ Critical Characteristics, relating to Safety and/or Regulatory Compliance
  - ⊕ Significant Characteristics relating to Process Control (PPC)
  - ⊕ Control Dimension relating to Form - Fit - Function as defined by Cole Hersee Company and/or the Customer
- Note that the identification of any Characteristics as being "Significant" does not alter the requirement that ALL specified dimensions & tolerances must be met.

Responsible Engineer: JC  
Pg. 1 of 1

## Cole Hersee Co.

20 Old Colony Ave., South Boston, MA, 02127  
 Phone 617-266-2100 Web: www.colehersee.com

Description:

DIMMER CONTROL 6AMP

Drawing / Part No.:

74603

B