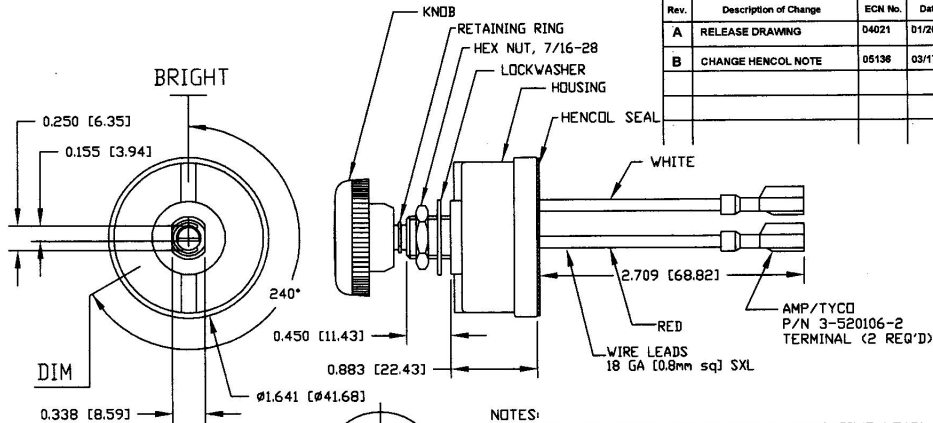


Revision Control Record

Rev.	Description of Change	ECN No.	Date
A	RELEASE DRAWING	04021	01/20/04
B	CHANGE HENCOL NOTE	05136	03/17/05



KNOB AND MOUNTING HARDWARE NOT SHOWN FOR CLARITY

FRONT VIEW ON KNOB

NOTES:

- 12-14.7 VDC, 7AMPS MAX. (LAMPS OR RESISTIVE LOAD), UNIT NOT LOAD SENSITIVE, PROTECTED FOR REVERSE POLARITY
- UNIT IS WEATHERPROOF SEALED
- ALL STEEL PARTS PLATED
- CH PART NUMBER AND DATE CODE PERMANENTLY MARK AT RANDOM
- ALL DIMENSIONS REFERENCE ONLY
- ALL HARDWARE ASSEMBLED

WHITE	LOAD
RED	BATTERY
WIRE COLOR	CIRCUIT

Tolerances: Unless otherwise specifically noted, the following are default tolerances:
 * 2-place Decimal Dimensions $\pm 0.02"$
 * 3-place Decimal Dimensions $\pm 0.005"$
 * Angular Dimensions ± 1.0 Deg.
 * Metric: Refer to equivalent English Dimension Tolerance
 * >>> NOTE: All tolerances are Non-Cumulative, etc.

Dimensional Note: All dimensions are expressed in inches except those shown in brackets (mm) are expressed in millimeters

"REF." or "AS SHOWN" = Non-Toleranced Reference Dimension, shown for identification purposes only.

PROPRIETARY INFORMATION: This Engineering Drawing, and the information contained herein, is proprietary to Cole Hersee Company and may not be disclosed, re-produced, or in any other way transferred or communicated to any other party without the express written consent of an authorized representative of Cole Hersee Company.

DESIGN CONTROL: It is the responsibility of the individual using/referencing this drawing to ensure that the needed design revision level agrees with the revision level of the Controlled Document (Master Drawing). This is a NON-CONTROLLED DOCUMENT unless otherwise specifically noted.

DO NOT SCALE: Dimensional variation may occur during printing/reproductions.

Special Characteristics:

- Critical Characteristic, relating to Safety and/or Regulatory Compliance
- Significant Characteristic relating to Process Control (SPC)
- Key Characteristic relating to Form - Fit- Function as defined by Cole Hersee Company and/or the Customer

(Note that the Identification of any Characteristic as being "Special" does not alter the requirement that ALL specified dimensions & tolerances must be met.)

Cole Hersee Co.

20 Old Colony Ave., South Boston, MA, 02127
 PHN 617-268-2100 Web: www.colehersee.com

Description:

DIMMER, 7AMP

Drawing Part No.:

74601-12

Current Rev.

B

Used On: 74601-01
 or Ref.: EX28017

Scale: **1:1**

Drawn By: **JJC**

Date Drawn: **12/04/03**

Responsible Engineer: **JJC**

Pg. 1 of 1