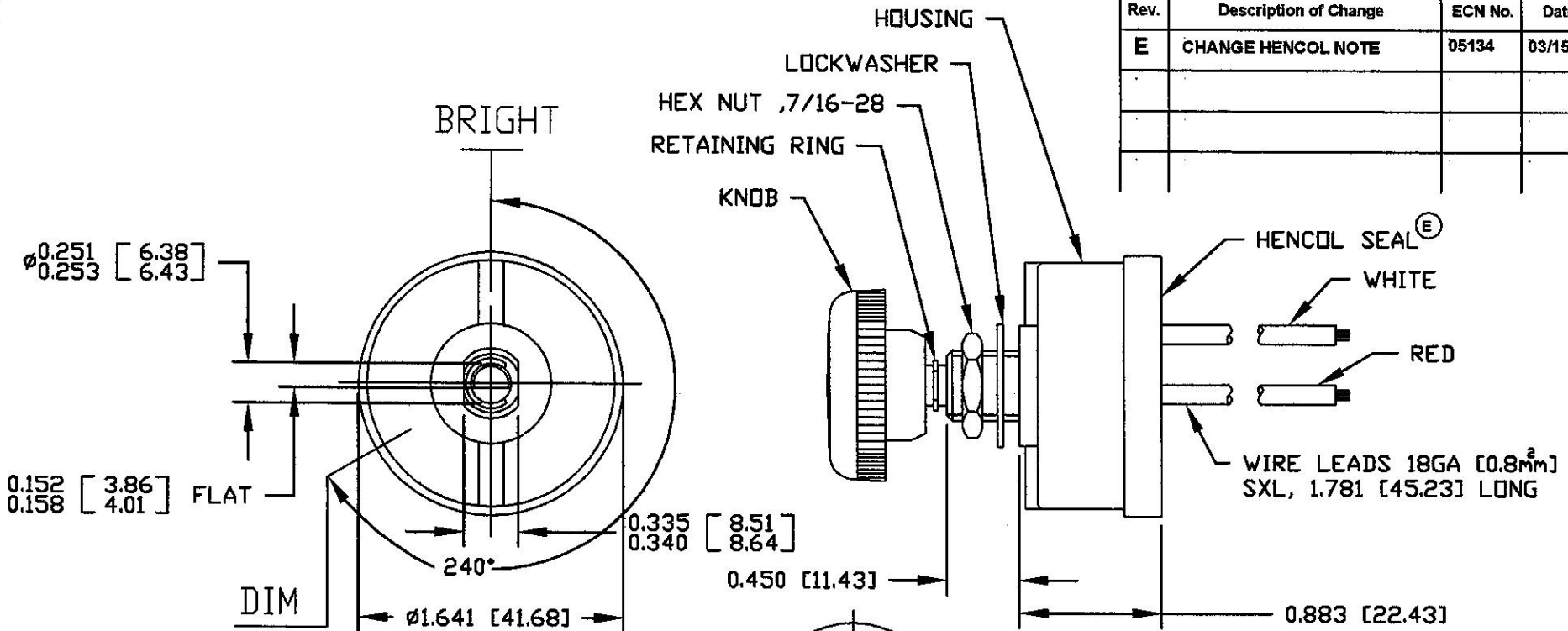


**Revision Control Record**

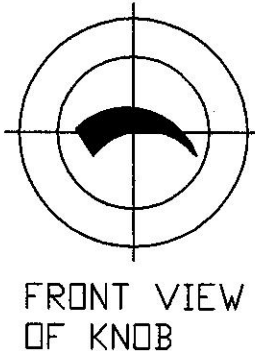
Rev.	Description of Change	ECN No.	Date
E	CHANGE HENCOL NOTE	05134	03/15/05



KNOB AND MOUNTING HARDWARE NOT SHOWN FOR CLARITY

**NOTES:**

- 12-14.7V DC. 7 AMPS MAX. (LAMPS OR RESISTIVE LOAD), UNIT NOT LOAD SENSITIVE, PROTECTED FOR REVERSE POLARITY.
- UNIT IS WEATHERPROOF SEALED.
- ALL STEEL PARTS PLATED.
- C-H PART NO. INK STAMPED AT RANDOM.
- ALL DIMENSIONS REFERENCE, UNLESS NOTED OTHERWISE.



WHITE	LOAD
RED	BATTERY
<b>WIRE COLOR</b>	<b>CIRCUIT</b>

**Tolerances.** Unless otherwise specifically noted, the following are default tolerances:  
 \* 2-place Decimal Dimensions  $\pm .02^\circ$   
 \* 3-place Decimal Dimensions  $\pm .005^\circ$   
 \* Angular Dimensions  $\pm 1.0$  Deg.  
 \* Metric: Refer to equivalent English Dimension Tolerance  
 >>> NOTE: All tolerances are Non-Cumulative. <<<

**Dimensional Units.** All dimensions are expressed in inches except those shown in brackets (xxx) are expressed in millimeters

**TRIPLE " or an Asterisk (\*)** = Non-Toleranced Reference Dimension, shown for clarification purposes only.

**PROPRIETARY INFORMATION.** This Engineering Drawing, and the information contained herein, is proprietary to Cole Hersee Company and may not be disclosed, re-produced, or in any other way transferred or communicated to any other party without the express written consent of an authorized representative of Cole Hersee Company.

**DESIGN CONTROL.** It is the responsibility of the individual using / referencing this drawing to assure that the noted design revision level agrees with the revision level of the Controlled Document (Master Drawing). This is a NON-CONTROLLED DOCUMENT unless otherwise specifically noted.

**DO NOT SCALE** - Dimensional variation may occur during printing / reproduction.

**Special Characteristics:**

- Critical Characteristic, relating to Safety and/or Regulatory Compliance
- Significant Characteristic relating to Process Control (SPC)
- Key Characteristic relating to Form - Fit - Function as defined by Cole Hersee Company and/or the Customer

(Note that the identification of any Characteristics as being "Special" does not alter the requirement that ALL specified dimensions & tolerances must be met.)

**Cole Hersee Co.**  
 20 Old Colony Ave., South Boston, MA, 02127  
 Phn 617-268-2100 Web: www.colehersee.com

**Description:**  
**DIMMER 7 AMP**

**Drawing / Part No.:** 74601-01

**Current Rev.:** E