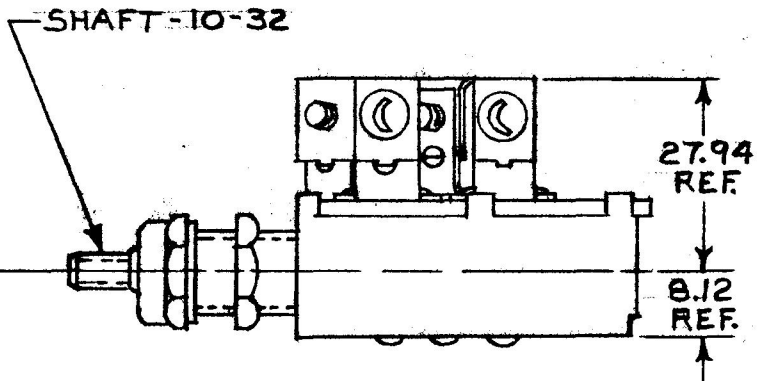
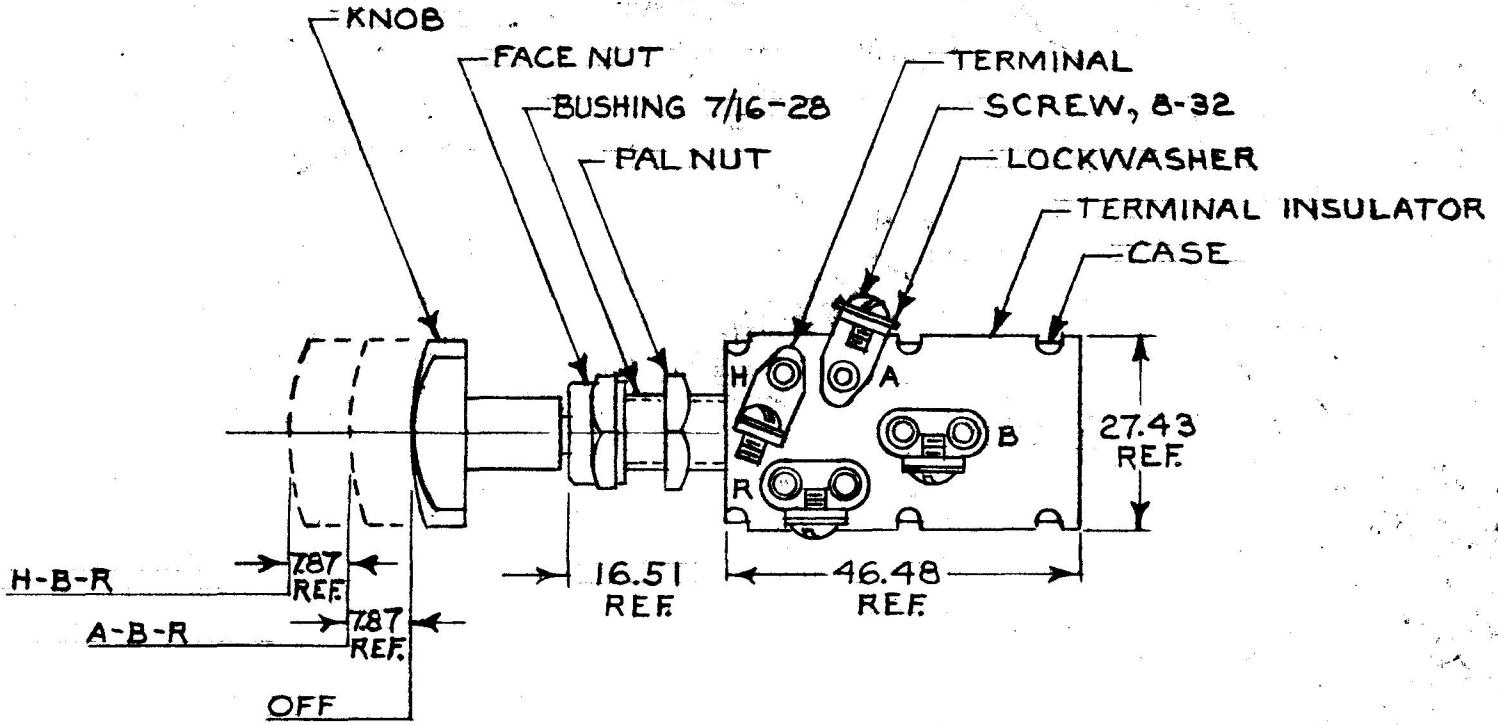


7124

MM IN  
 7.87 .31  
 8.12 .32  
 16.51 .65  
 27.43 1.08  
 27.94 1.10  
 46.48 1.83



NOTE:  
 1. ALL STEEL PARTS  
 PLATED

METRIC

DO NOT SCALE

LET.	WAS	DATE	BY	LET	WAS	DATE	BY	MATERIAL	DRAWN	CHECKED	APPR'D.	SCALE	DATE DRAWN
								<i>K</i>	NK	<i>[Signature]</i>		1:1	2-16-60
								FINISH	 Cole Hersee Co. <small>20 OLD COLONY AVENUE, SOUTH BOSTON, MA, U.S.A. 02127</small>				DATE BLUEPRINT
								TOLERANCES					
								DECIMAL ±	SWITCH, H/L, 3 POS.				7124
								METRIC ±					
					H REDRAWN	9-18-64	VAK						

CH-188(4-78)