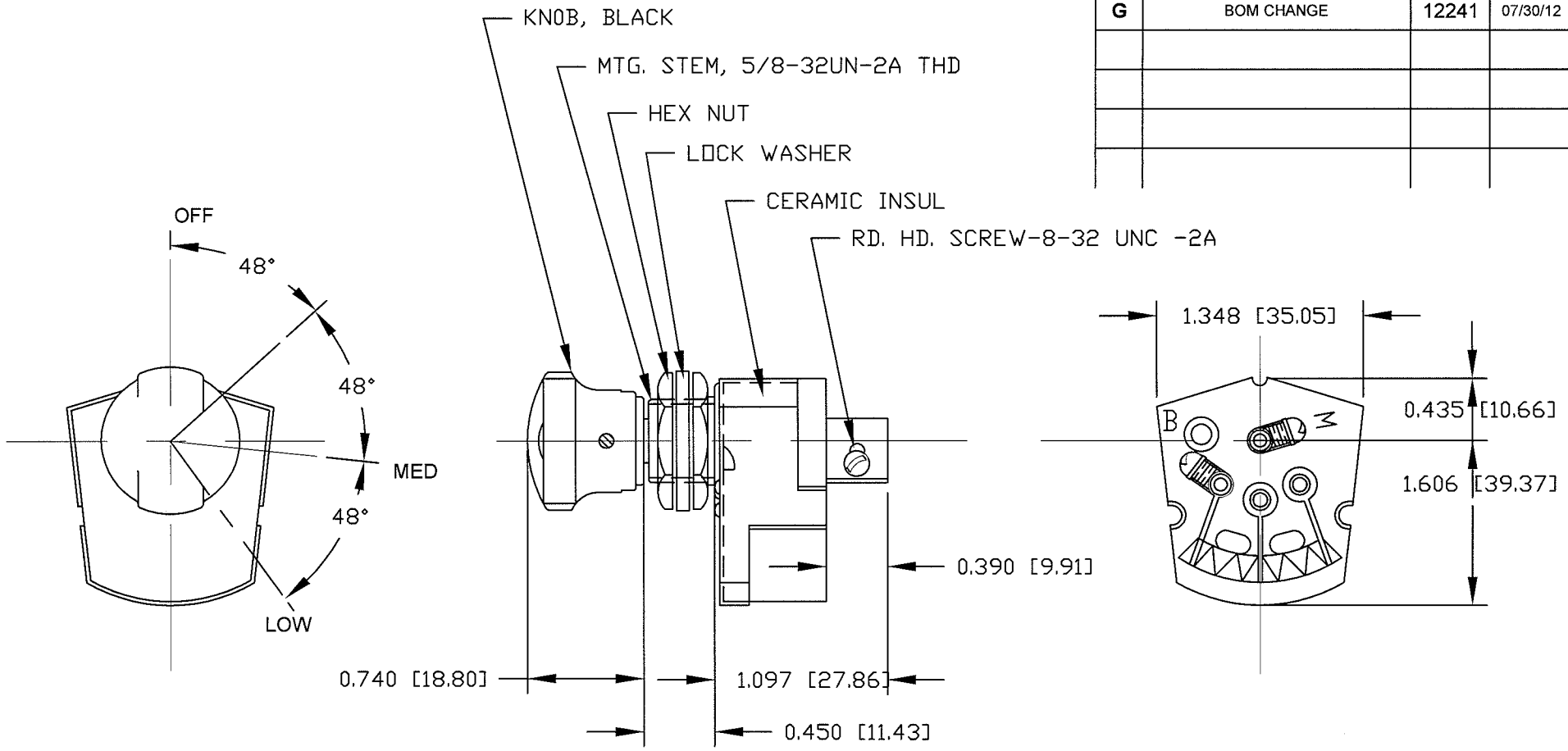


Revision Control Record

Rev.	Description of Change	ECN No.	Date
G	BOM CHANGE	12241	07/30/12



NOTE: ALL STEEL PARTS PLATED

12 VOLT - 3 OHMS

DO NOT SCALE

Note: unless noted otherwise all dimension are AFTER plating
Tolerances: Unless otherwise specifically noted, the following
are default tolerances;

2-places	3-places	Angular
± 0.02 [0.5]	± 0.005 [0.13]	$\pm 1'$

Unless otherwise specified dimensions are in inches.
Dimensions in brackets [] are in millimeters.

"REF" = Non-Toleranced Reference Dimension, shown for
clarification purposes only.

Note: All tolerances are Non-Cumulative.

**PROPRIETARY
INFORMATION**

All information contained
herein, is proprietary to the
Cole Hersee Company.
Unauthorized use or
reproduction is prohibited.

3RD ANGLE PROJECTION

Special Characteristics:

- Critical Characteristic, relating to Safety and/or Regulatory Compliance
- Significant Characteristic relating to Process Control
- Control Dimension relating to Form - Fit - Function as defined by Cole Hersee Company and/or the Customer



Littelfuse®

Phn: 617-268-2100 Web: www.colehersee.com

Description:

HEATER SWITCH

**Drawing /
Part No.:**

68362

Current Rev.

G