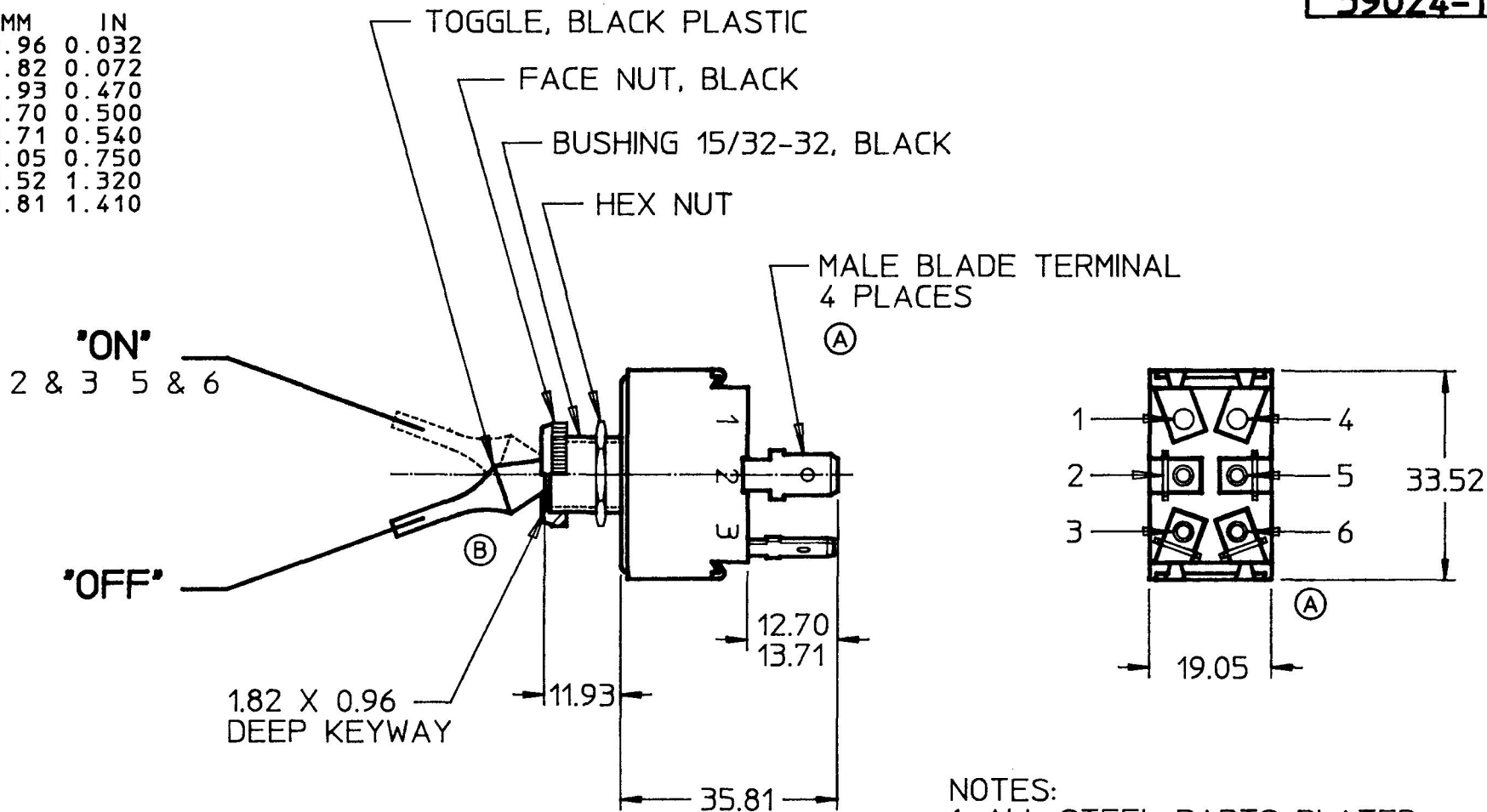


59024-110


MM	IN
0.96	0.032
1.82	0.072
11.93	0.470
12.70	0.500
13.71	0.540
19.05	0.750
33.52	1.320
35.81	1.410



- NOTES:
1. ALL STEEL PARTS PLATED
 2. SILVER CONTACTS
 3. 25 AMPS @ 12VDC LAMP LOAD
 4. ALL DIMENSIONS REF. ONLY

METRIC

DO NOT SCALE
CAD GENERATED

LET.	WAS	DATE	BY	LET.	WAS	DATE	BY	MATERIAL	DRAWN	CHK	APVD	SCALE	DATE DRAWN
									RO	AF		1:1	3/8/90
				B	EON 24519	8/21/90	RO	FINISH	 <small>70 OLD CO. HWY AVENUE SOUTH BOSTON MA U.S.A. 02127</small>				DATE BLUEPRINTED
			A	EON 24367 2 PLACES	5/3/90	RO	TOLERANCES DECIMAL ± ANGLE ±	SW, TOGGLE. DPST					59024-110
					ISSUED	3/27/90	AF						Confidential Property of Cole Hersee