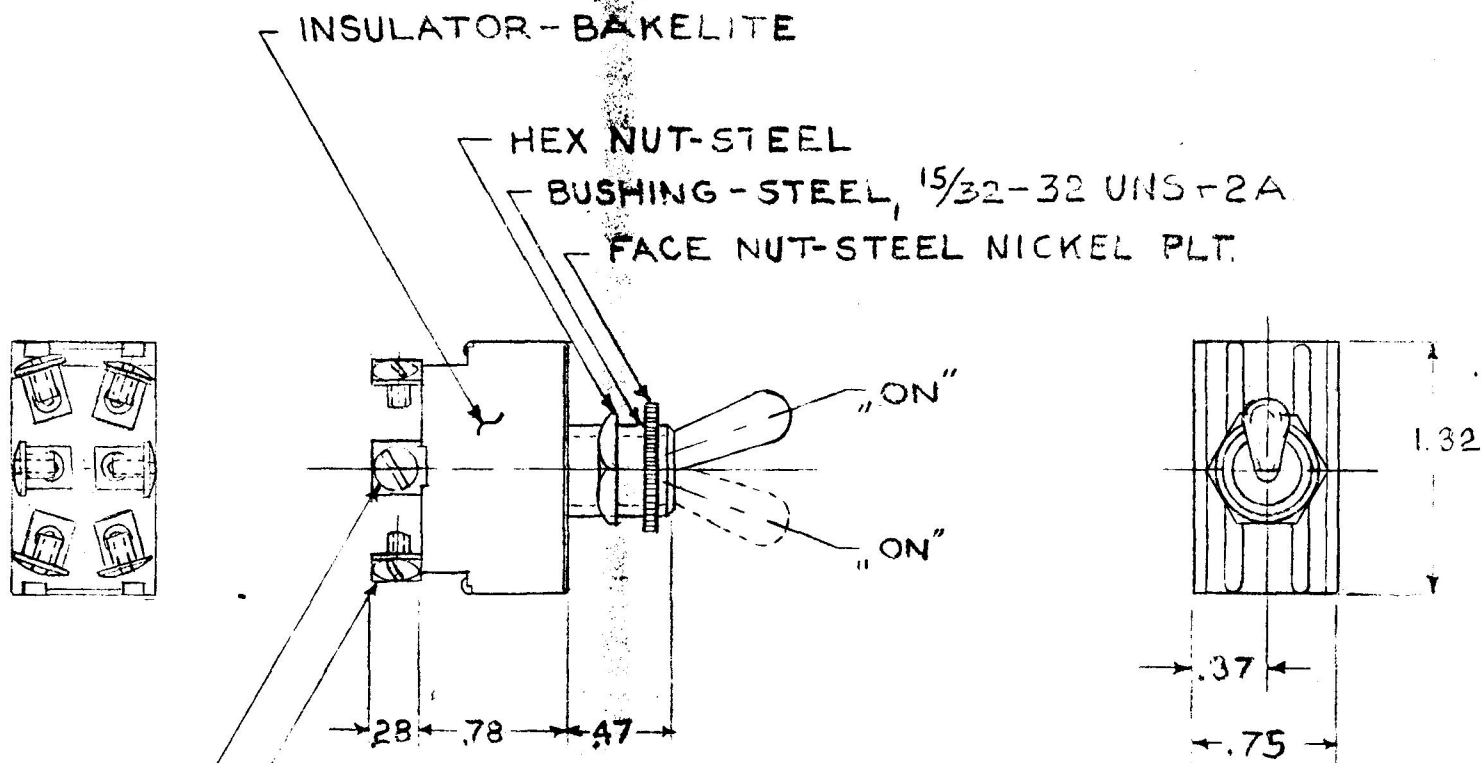
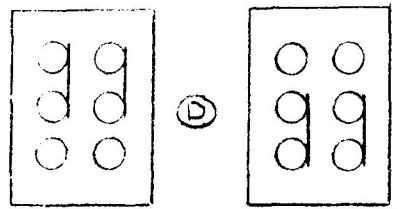


COLE-HERSEE CO.

5590



INSULATOR - BAKELITE
 HEX NUT-STEEL
 BUSHING - STEEL, 15/32-32 UNS-2A
 FACE NUT-STEEL NICKEL PLT.
 TERMINAL - BRASS
 SCREW - BRASS



SCHEMATIC

- NOTES:**
1. DOUBLE POLE - DOUBLE THROW
 - 2 POSITIONS - BOTH "ON" - 6 SCREW TYPE TERMINALS.
 2. ALL STEEL PARTS PLATED
 - Ⓒ 3 SILVER CONTACT SURFACES

DO NOT SCALE

LET	WAS	DATE	BY	LET	WAS	DATE	BY	MATERIAL	DRAWN	CHECKED	APPR'VD.	SCALE	DATE DRAWN
								—	EHD			1=1	6-18-59
								FINISH	COLE-HERSEE COMPANY BOSTON, MASS. 02127, U.S.A.				DATE BLUEPRINT
				E	ADD NOTE/25922	9/15/53	TJH						
				D	ADDED DIAGRAM	7/22/62	EA	TOLERANCES	TOGGLE SWITCH ASS'Y				5590
				C	NO CHANGE	5.13.70	FB	FRACTIONAL ± .015 DECIMAL ± .010					