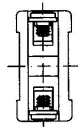
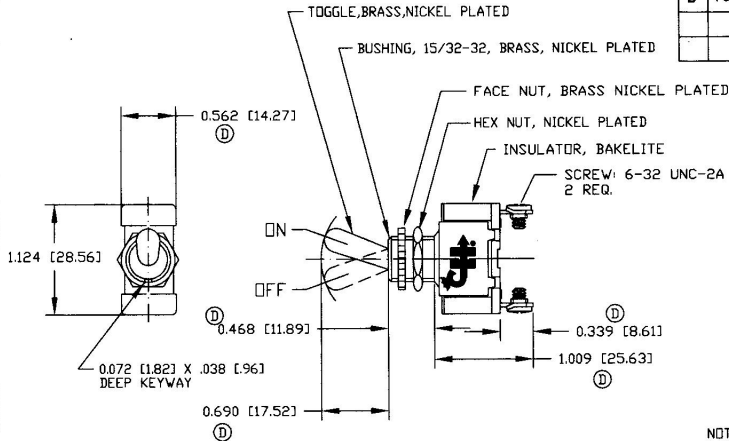


Revision Control Record

Rev.	Description of Change	ECN No.	Date
D	PUT ON CAD	05039	01/04/05



- NOTES:
1. HEAVY DUTY SILVER CONTACTS
 2. NEOPRENE O-RING IN BUSHING
 - (D) 3. ALL STEEL PARTS ZINC PLATED
 - (D) 4. SWITCH RATING: 12V/25A; 24V/15A

Tolerances: Unless otherwise specifically noted, the following are default tolerances:
 * 2-place Decimal Dimensions $\pm .02^\circ$
 * 3-place Decimal Dimensions $\pm .005^\circ$
 * Angular Dimensions ± 1.0 Deg
 * Metric: Refer to equivalent English Dimension Tolerance
 >>> NOTE: All tolerances are Non-Cumulative.

Dimensional Units: All dimensions are expressed in inches except those shown in brackets (xxx) are expressed in millimeters.

"REF" or "AS SHOWN" is Non-Toleranced Reference Dimension, shown for clarification purposes only.

PROPRIETARY INFORMATION: This Engineering Drawing, and the information contained herein, is proprietary to Cole Hersee Company and may not be disclosed, re-produced, or in any other way transferred or communicated to any other party without the express written consent of an authorized representative of Cole Hersee Company.

DESIGN CONTROL: It is the responsibility of the individual using / referencing this drawing to assure that the noted design revision level agrees with the revision level of the Controlled Document (Master Drawing). This is a NON-CONTROLLED DOCUMENT unless otherwise specifically noted.

DO NOT SCALE - Dimensional variation may occur during printing / reproduction.

Special Characteristics:

- Critical Characteristic relating to Safety under Regulatory Compliance
- Significant Characteristic relating to Process Control (SPC)
- Key Characteristic relating to Form - Fit - Function as defined by Cole Hersee Company and/or the Customer

(Note that the identification of any Characteristic as being "Special" does not alter the requirement that ALL specified dimensions & tolerances must be met.)



Cole Hersee Co.

20 Old Colony Ave., South Boston, MA, 02127
 PHN 617-268-2100 Web: www.colehersee.com

Description:

SWITCH, TOGGLE . SPST

Drawing / Part No.:

5520

Current Rev.

D

Used On or Ref: Scale: **1:1**

Drawn By: **E.A**

Date Drawn: **2/27/07**

Responsible Engineer: **G.AUGUSTE** Pg. 1 of 1