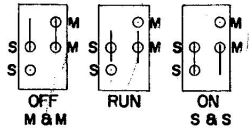
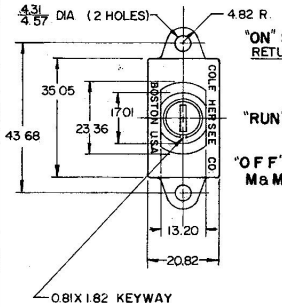
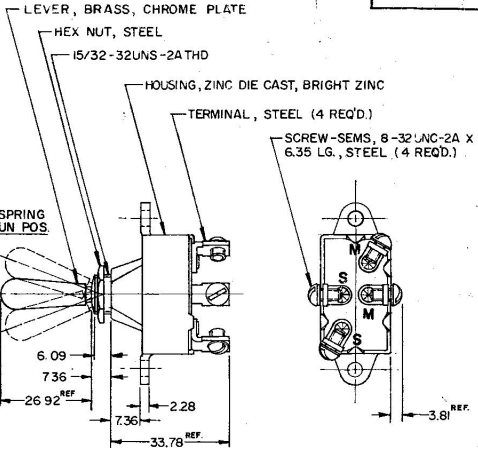


MM IN
 0.25 0.010
 0.61 0.024
 1.27 0.050
 2.28 0.090
 3.81 0.150
 5.08 0.200
 6.35 0.250
 7.62 0.300
 10.16 0.400
 12.70 0.500
 15.24 0.600
 17.78 0.700
 20.32 0.800
 22.86 0.900
 25.40 1.000
 27.94 1.100
 30.48 1.200

551862



CIRCUIT DIAGRAM



"ON" S & S - SPRING RETURN TO RUN POS.
 20° REF
 "RUN"
 20° REF
 "OFF" M & M

NOTES

1. SILVER CONTACT SURFACES.
2. MELAMINE LINER.
- ③ 3. ALL STEEL PARTS PLATED
- ④ 4. HEX NUT & SCREWS TO BE BAGGED

Confidential property of Cole Hersee

METRIC

DO NOT SCALE

| LET | WAS | DATE | BY | LET | WAS | DATE | BY | MATERIAL | DRAWN | CHECKED | APPR'VD. | SCALE | DATE DRAWN |
|-----|-----|------|----|-----|---------|------|---------|----------|-------|---------|----------|---|----------------|
| | | | | | | | | | MF | 9-13-78 | | 1:1 | 12-28-66 |
| | | | | | | | | FINISH | | | | | DATE BLUEPRINT |
| | | | | G | ERN | 1005 | 1/12/01 | | | | | | |
| | | | | F | CAD | OR | 2523A | 11/17/92 | JH | | | | |
| | | | | E | REDRAWN | | 8-17-78 | JV | | | | | |
| | | | | | | | | | | | | TOLERANCES FRACTIONAL ± DECIMAL ± .25 | |
| | | | | | | | | | | | | MAG - IGN - START TOGGLE SWITCH | 551862 |

EX-14416

CH Cole Hersee Co.
 BOSTON, MASSACHUSETTS, U.S.A.