

MTG. STEM 15/32-32 UNS-2A

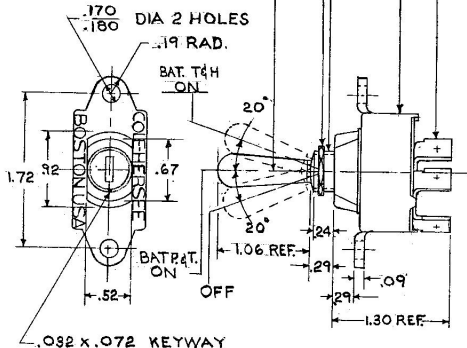
HOUSING - ZINC DIE CAST

551849

83272 HEX NUT-STEEL

TOGGLE LEVER-BRASS
CHROME PLATE

TERMINAL - BRASS (2)



LEGEND	
P	PARK LT.
T	TAIL LT.
H	HEAD LT.

Confidential property of Cole Hersee

NOTES:

1. EXTRA HEAVY DUTY SILVERED STEEL CONTACTS
 2. ALL STEEL PARTS
 3. HEX NUT & SCREWS TO BE BAGGED
- DO NOT SCALE

LET	DATE	BY	REV	DATE	BY	MATERIAL	DRAWN	CHECKED	APPROV'D	SCALE	DATE DRAWN
			K	9/13/47	HS	STEEL/ECN#26487	SB	U.M.		1=1	5-5-65
			J	11/19/47	JH	CAD OR ZINC 25239					
			H	2-23-76	KS	REV/19288					
			G	8-4-70	RN	ROB/1678					
			F	5.12.70	J.B	NO CHANGE REDRAWN					
L	ECN01005	1/16/01									

TOLERANCE UNLESS SPECIFIED			NAME		PART NO.			
1 DECIMAL	2 DECIMAL	3 DECIMAL	1 IN	ANGULAR	±	COLE-HERSEE COMPANY	HEADLAMP SWITCH	551849
						BOSTON, MASS. 02127, U.S.A.		