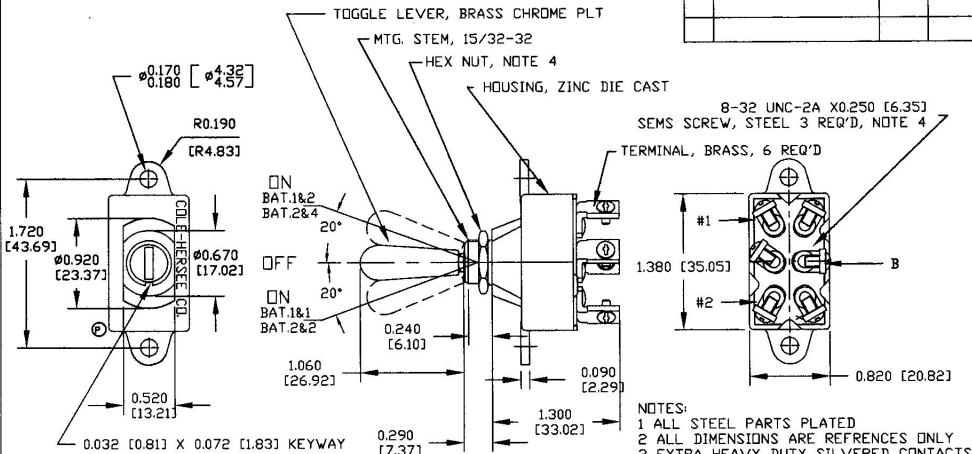


Revision Control Record

Rev.	Description of Change	ECN No.	Date
P	DELETE 'BOSTON U.S.A.'	05040	01/18/05



- NOTES:
- 1 ALL STEEL PARTS PLATED
 - 2 ALL DIMENSIONS ARE REFERENCES ONLY
 - 3 EXTRA HEAVY DUTY SILVERED CONTACTS
 - 4 HEX NUTS & SCREWS TO BE BAGGED
 5. 12V DC-- 30AMP LAMP LOAD
35AMP INDUCTIVE LOAD

Tolerances: Unless otherwise specifically noted, the following are default tolerances:
 • 3-place Decimal Dimensions $\pm .02$
 • 3-place Decimal Dimensions $\pm .005$
 • Angular Dimensions ± 1.0 Deg
 • Metric: Refer to equivalent English Dimension Tolerance
 >>> NOTE: All tolerances are Non-Cumulative. <<<

Dimensional Units: All dimensions are expressed in inches except those shown in brackets (xxx) are expressed in millimeters.

"REF." or "AS AMERICAN" is a Non-Toleranced Reference Dimension, shown for clarification purposes only.

Used On or Rev: Scale: **1:1**

PROPRIETARY INFORMATION: This Engineering Drawing, and the information contained herein, is proprietary to Cole Hersee Company and may not be disclosed, re-produced, or in any other way transferred or communicated to any other party without the express written consent of an authorized representative of Cole Hersee Company.

DESIGN CONTROL: It is the responsibility of the individual using/referencing this drawing to assure that the noted design revision level agrees with the revision level of the Controlled Document (Master Drawing). This is a NON-CONTROLLED DOCUMENT unless otherwise specifically noted.

DO NOT SCALE: Dimensional variation may occur during printing/reproduction.

Drawn By: **MF** Date Drawn: **4/14/65**

Key for Special Characteristics:

- Critical Characteristic, relating to Safety and/or Regulatory Compliance
- Significant Characteristic relating to Process Control (SPC)
- Control Dimension relating to Form - Fit - Function as defined by Cole Hersee Company and/or the Customer

(Note that the identification of any Characteristics as being "Special" does not alter the requirement that ALL specified dimensions & tolerances must be met.)

Responsible Engineer: **GA** Pg. **1** of **1**

Cole Hersee Co.
 20 Old Colony Ave., South Boston, MA, 02127
 Plus 617-268-2100 Web: www.colehersee.com

Description:
SW, DPDT, TOGGLE, SW

Drawing / Part No.:
551846

Current Rev.:
P